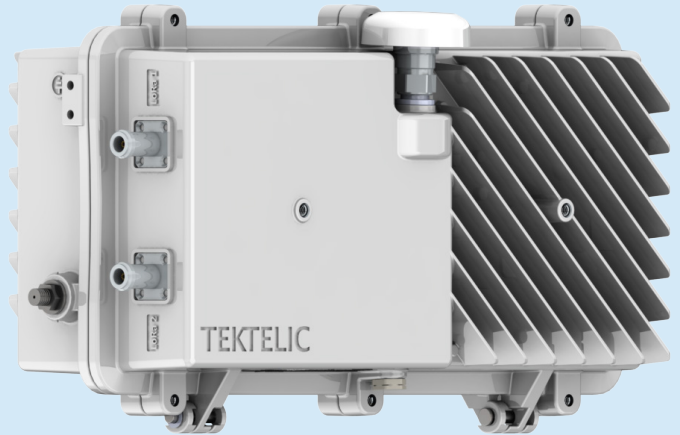


KONA Strand Mount IoT Gateway

High Capacity LoRaWAN® DOCSIS Gateway for IoT Deployments

TEKTELIC's KONA Strand Mount IoT Gateway provides network operators with a carrier grade product designed for the rapid deployment of LoRaWAN® Internet of Things networks. The Gateway accommodates diverse deployment requirements in a single box solution.

Ideal for public and private network operators requiring a cable mount deployment, Full Duplex, multiple Rx and Tx Channels, cost effective and reliable LoRaWAN® gateways to maximise their network investment for years to come.



Key Product Differentiators

- » High availability carrier grade design with support of in-service configuration and software updates.
- » Environmentally hardened aluminium enclosure fully tested to withstand extreme temperature conditions.
- » Full duplex operation making all receive and transmit channels available simultaneously.
- » Excellent isolation between the Tx and Rx bands as well as out of band rejection of Cellular and Paging networks.
- » Day-One scalability with support of up to 12 million received messages per day.
- » Leverages the HFC network in a LoRaWAN® solution.
- » Fully integrated with the broader eco-system of LoRa network servers and sensors.

Key Features

- » Frequency Duplex 72 Rx / 4 Tx
- » Dual Antenna Support for Rx Diversity
- » Double Simultaneous Tx Channels
- » High Linearity LNA/Receiver
- » Integrated Bandpass Filter
- » Precise Network Synchronization (GPS)
- » Integrated GPS Holdover
- » 1 Watt (30 dBm) Tx Power
- » Geolocalization Support
- » Hardened Carrier Grade Enclosure
- » DOCSIS 3.0 Cable backhaul
- » Lightning Arrester Equipped
- » Rated IP67 Enclosure
- » NA 915 ISM Band

KONA Strand Mount IoT Gateway

High Capacity LoRaWAN® DOCSIS Gateway for IoT Deployments

Technical and Functional System Specifications

Mechanical Parameters

MTBF	450,000 hours
DC Power Consumption	< 50W
Operational Temperature	-40°C to +60°C
Operational Humidity	5% to 100% Condensing
Ingress Protection	IP67
Size	228.6 x 160.0 x 406.4 mm
Weight	9.07 kg
Volume	14.9 L

LoRa Radio Parameters

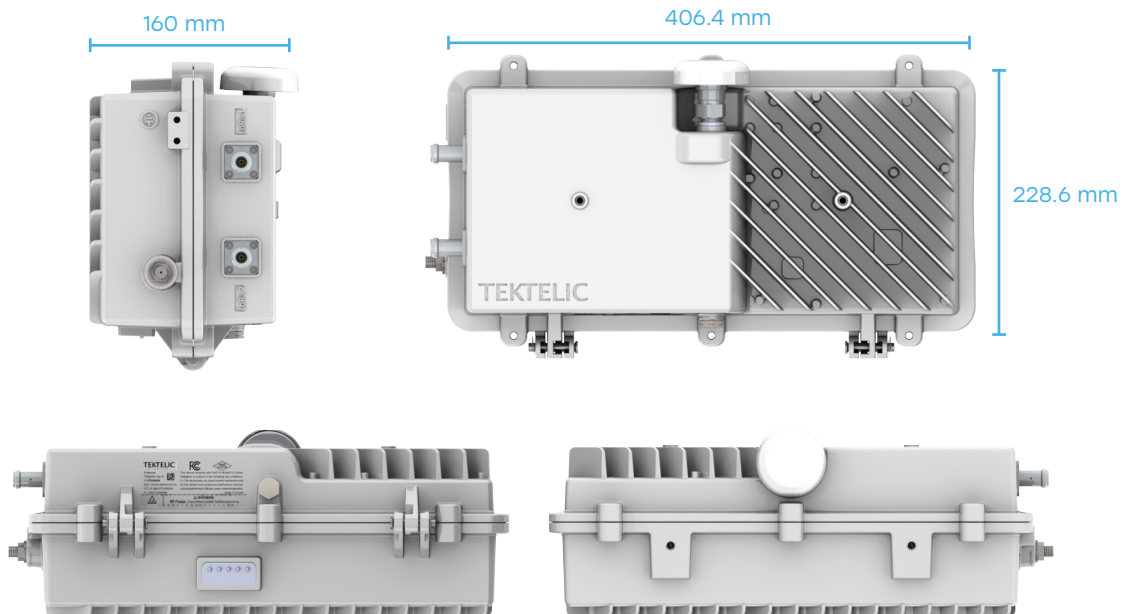
ISM NA Band	902 - 915 MHz (Rx)
	923 - 928 MHz (Tx)
Tx Power	2 x 1W (2 x 30 dBm)
Rx Sensitivity	-142 dBm (SF12, 293 bits/sec)
Rx Noise Figure	3.5 dB
Rx Linearity	-10 dBm
Rx Dynamic Range	70 dB Analog, 100+ dB Digital
Tx to Rx Isolation	75 dB

Software and Management

Tools	System Health Monitor
	Flight Recorder
	Radio Configuration and Control
	Remote Software Upgrade
	Active and Passive image management
Networking	DHCPv4 client
	TFTP server
	HTTP server

Interfaces

Backhaul	DOCSIS 3.0
GPS	N-Type
LoRa Antenna (2 ports)	N-Type
Power	HFC



TEKTELIC Communications is a premier supplier of best-in-class LoRaWAN® IoT Gateways, Sensors, and custom applications. These elements combined provide a powerful end-to-end solution that can be easily, quickly, and cost effectively deployed to address the most demanding IoT challenges.

For more information please visit www.tektelic.com