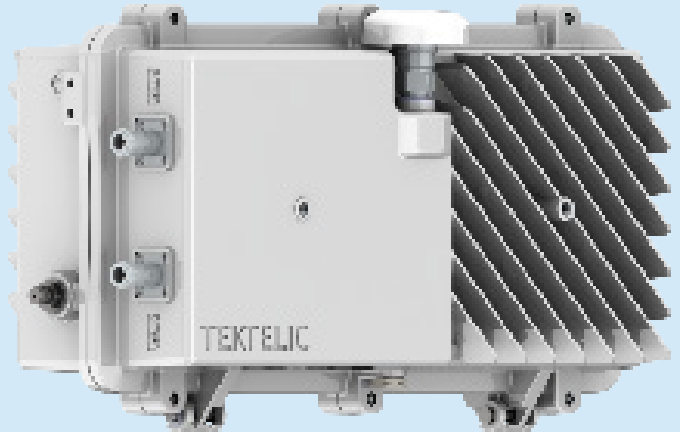


# KONA Strand Mega IoT Gateway

## High Capacity LoRaWAN® DOCSIS Gateway for IoT Deployments

TEKTELIC's KONA Strand Mega IoT Gateway provides network operators with a carrier grade product designed for the rapid deployment of LoRaWAN® Internet of Things networks. The Gateway accommodates diverse deployment requirements in a single box solution.

Ideal for public and private network operators requiring a cable mount deployment, Full Duplex, multiple Rx and Tx Channels, cost effective and reliable LoRaWAN® gateways to maximise their network investment for years to come.



### Key Product Differentiators

- » High availability carrier grade design with support of in-service configuration and software updates.
- » Environmentally hardened aluminium enclosure fully tested to withstand extreme temperature conditions.
- » Full duplex operation making all receive and transmit channels available simultaneously.
- » Excellent isolation between the Tx and Rx bands as well as out of band rejection of Cellular and Paging networks.
- » Day-One scalability with support of up to 12 million received messages per day.
- » Leverages the HFC network in a LoRaWAN® solution.
- » Fully integrated with the broader eco-system of LoRa network servers and sensors.

### Key Features

- » Frequency Duplex 72 Rx / 4 Tx
- » Dual Antenna Support for Rx Diversity
- » Double Simultaneous Tx Channels
- » High Linearity LNA/Receiver
- » Integrated Bandpass Filter
- » Precise Network Synchronization (GPS)
- » Integrated GPS Holdover
- » 1 Watt (30 dBm) Tx Power
- » Geolocalization Support
- » Hardened Carrier Grade Enclosure
- » DOCSIS 3.0 Cable backhaul
- » Lightning Arrester Equipped
- » Rated IP67 Enclosure
- » NA 915 ISM Band

# KONA Strand Mega IoT Gateway

## High Capacity LoRaWAN® DOCSIS Gateway for IoT Deployments

### Technical and Functional System Specifications

#### Mechanical Parameters

MTBF	450,000 hours
DC Power Consumption	< 50W
Operational Temperature	-40°C to +60°C
Operational Humidity	5% to 100% Condensing
Ingress Protection	IP67
Size	228.6 x 160.0 x 406.4 mm
Weight	9.07 kg
Volume	14.9 L

#### LoRa Radio Parameters

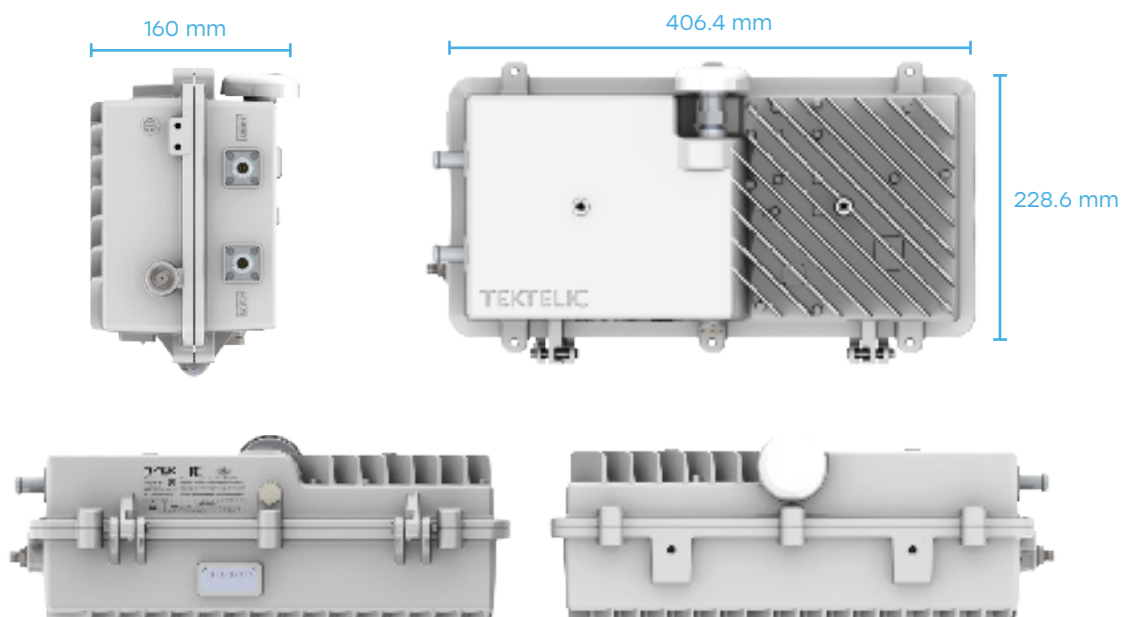
ISM NA Band	902 - 915 MHz (Rx)
	923 - 928 MHz (Tx)
Tx Power	2 x 1W (2 x 30 dBm)
Rx Sensitivity	-142 dBm (SF12, 293 bits/sec)
Rx Noise Figure	3.5 dB
Rx Linearity	-10 dBm
Rx Dynamic Range	70 dB Analog, 100+ dB Digital
Tx to Rx Isolation	75 dB

#### Software and Management

Tools	System Health Monitor
	Flight Recorder
	Radio Configuration and Control
	Remote Software Upgrade
	Active and Passive image management
Networking	DHCPv4 client
	TFTP server
	HTTP server

#### Interfaces

Backhaul	DOCSIS 3.0
GPS	N-Type
LoRa Antenna (2 ports)	N-Type
Power	HFC



TEKTELIC Communications is a premier supplier of best-in-class LoRaWAN® IoT Gateways, Sensors, and custom applications. These elements combined provide a powerful end-to-end solution that can be easily, quickly, and cost effectively deployed to address the most demanding IoT challenges.

For more information please visit [www.tektelic.com](http://www.tektelic.com)