



TEKTELIC Communications Inc.
7657 10th Street NE Calgary, Alberta
Canada, T2E 8X2

KONA MEGA GATEWAY

User Guide

Document Type:	User Guide
Document Number:	T0004279_UG
Document Issue:	2.18
Document Status:	Approved
Product Name:	Kona Mega Gateway
Product Code:	See Table 1
Issue Date:	December 7, 2023

PROPRIETARY:

The information contained in this document is the property of TEKTELIC Communications Inc. Except as specifically authorized in writing by TEKTELIC, the holder of this document shall keep all information contained herein confidential, and shall protect the same in whole or in part from disclosure to all third parties.

© 2023

TEKTELIC Communications Inc., all rights reserved.

All products, names, and services are trademarks and registered trademarks of their respective companies.

TEKTELIC Communications Inc.
7657 10th Street NE
Calgary, AB, Canada T2E 8X2
Phone: (403) 338-6900

Document Revision

Revision	Issue Date	Status	Editor	Comments
1.0	Oct. 5, 2016	Draft	T. Danshin	First release
2.0	Nov. 1, 2016	Draft	P. Chu	Updated for 1TX-1RX Module Type, v2.1 Semtech SW
2.1	Nov. 8, 2016	Draft	P.Chu	Updated environmental and DC voltage specs
2.2	Dec. 9, 2012	Draft	P. Chu	Updated Commissioning Section to use GUI for Gateway operation
2.3	Jan. 23, 2017	Draft	S. Morrison	Renamed to User Guide, numerous updates
2.4	Feb. 09, 2017	Obsolete	S. Morrison	Updates to connector & mounting information
2.5	Mar. 07, 2017	Obsolete	S. Morrison	Changed ground lug to imperial
2.6	Mar. 08, 2017	Obsolete	S. Morrison	Added 10A maximum DC input rating
2.7	Mar. 08, 2017	Obsolete	S. Morrison	Added language translation & LoRa antenna type
2.8	Mar. 24, 2017	Obsolete	T. Danshin	Added MPE information
2.9	Nov. 01, 2017	Obsolete	S. Morrison	Added international frequency variants
2.10	Feb. 21, 2018	Obsolete	T. Danshin	Moved sections 3 and 7 (commissioning and monitoring) to another document. Updated renderings showing mounting bracket.
2.11	May 01, 2018	Obsolete	S. Morrison	Added new model Updated name to Mega
2.12	May 10, 2018	Obsolete	T. Danshin	Added codes for high Tx RF power TDD models
2.13	June 26, 2020	Obsolete	Z. Herasymiuk	Updated T-Code table
2.14	Oct. 16, 2020	Obsolete	S. Morrison	Added new models with ODVA optical and M12 connectors
2.15	Oct. 21, 2020	Obsolete	S. Morrison	Updated M12 Option
2.16	July 15, 2021	Approved	K. Minderhoud	Updated document template Updated Table 1 - added Ch. Plan column - removed T0007223, T0007288
2.17	Feb. 24, 2023	Approved	K. Minderhoud	Updated Table 1 - added T0007754, T0007752, T0007213, T0007288 Updated Figure 2
2.18	Dec. 7, 2023	Approved	K. Minderhoud	Added Prop65 warning

Table of Contents

1	Product Description	6
1.1	Overview	6
1.2	Bulkhead Layout.....	9
1.3	Specifications.....	19
2	Installation	20
2.1	Safety Precautions.....	20
2.2	Unpacking and Inspection	21
2.3	Required Equipment for Installation.....	21
2.4	Kona Mega Gateway Mounting	21
2.5	Ground Cable Installation	23
2.6	Direct DC Power Cable Installation	24
2.7	RF Cable Installation.....	26
2.8	Copper Ethernet Cable Installation	26
2.9	Proposition 65 Statement	26
3	Radio Compliance Statements	27
4	Déclarations de conformité à la radio	29

List of Tables

Table 1: Kona Mega Gateway Models	6
Table 2: Kona Mega Gateway Interface Connector Types	18
Table 3: Kona Mega Gateway Specifications	19

List of Figures

Figure 1: Kona Mega Gateway Common Dimensions	8
Figure 2: Kona Mega Gateway Option #1 with CPC Connector Bulkhead Field	9
Figure 3: Kona Mega Gateway Option #2 with CPC Connector Bulkhead Field	10
Figure 4: Kona Mega Gateway Option #3 Bulkhead Field	11
Figure 5: Kona Mega Gateway Option #4 Bulkhead Field	12
Figure 6: Kona Mega Gateway Option #5 Bulkhead Field	13
Figure 7: Kona Mega Gateway Option #6 with Hybrid Optical Connector Bulkhead Field	14
Figure 8: Kona Mega Gateway Option #6 with ODVA Optical Connector Bulkhead Field	15
Figure 9: Kona Mega Gateway Option #7 Bulkhead Field	16
Figure 10: Kona Mega Gateway Option #2 with M12 Connectors Bulkhead Field	17
Figure 11: Kona Mega Gateway Option #4 with M12 Connectors Bulkhead Field	18
Figure 12: Kona Module with Mounting Bracket	22
Figure 13: Chassis Ground Connection	23
Figure 14: Direct DC Power CPC Connector Connection Polarity	24
Figure 15: Direct DC Power M12 Connector Connection Polarity	25
Figure 16: Hybrid Connector Direct DC Power Connection Polarity	25

1 Product Description

1.1 Overview

The Kona Mega Gateway is a LoRaWAN IoT gateway that supports the full range of LoRa WAN channels. The Kona platform is designed to support a multitude of deployment configurations in an outdoor environment. The hardware architecture supports one or two LoRa antennas, a GPS antenna, direct DC input power or Power over Ethernet (PoE), and backhaul options including copper Ethernet, optical Ethernet, and 3G/4G wireless. Table 1 presents the currently available Kona Mega Gateway models.

Table 1: Kona Mega Gateway Models

Product Code	Region	Ch. Plan	Description	GPS Ant.	Direct DC Power	Optical	Copper Eth.	3G/4G Ant.	LoRa Ant.
T0004142	NA	US915	KONA MEGA Option #1 CPC Connectors	1	0	0	1	0	1
T0004974	Int.	EU868							
T0004978	Int.	AU915							
T0004988	Int.	AS923							
T0004996	Int.	AS923							
T0005004	Int.	AU915							
T0004470	NA	US915	KONA MEGA Option #2 CPC Connectors	1	1	0	1	1	
T0004719	Int.	EU868							
T0004980	Int.	AU915							
T0004990	Int.	AS923							
T0004998	Int.	AS923							
T0005006	Int.	AU915							
T0004537	NA	US915	KONA MEGA Option #3 CPC Connectors	1	1	0	1	0	
T0004946	Int.	EU868							
T0004982	Int.	AU915							
T0004992	Int.	AS923							
T0005000	Int.	AS923							
T0005008	Int.	AU915							
T0007754	NA	Custom							
T0004250	NA	US915	KONA MEGA Option #4 CPC Connectors	1	1	0	1	1	2
T0005519	NA	Custom							
T0004976	Int.	EU868							
T0004806	Int.	Custom							
T0004984	Int.	AU915							
T0004994	Int.	AS923							
T0005002	Int.	AS923							
T0005010	Int.	AU915							
T0007752	NA	Custom							

T0004251	NA	US915	KONA MEGA Option #5	1	0	1	1	0	1
T0004252	NA	US915	KONA MEGA Option #6 Hybrid Optical Connector	1	0	1	1	0	2
T0006502	Int.	EU868	KONA MEGA Option #6 ODVA Optical Connector	1	1	1	1	0	2
T0006503	Int.	EU868	KONA MEGA Option #7	1	1	1	1	1	2
T0007208	NA	US915	KONA MEGA Option #2 M12 Connectors	1	1	0	1	1	1
T0007209	Int.	EU868							
T0007210	Int.	AU915							
T0007211	Int.	AS923							
T0007212	Int.	AS923							
T0007213	Int.	China							
T0007283	NA	US915	KONA MEGA Option #4 M12 Connectors	1	1	0	1	1	2
T0007284	Int.	EU868							
T0007285	Int.	AU915							
T0007286	Int.	AS923							
T0007287	Int.	AS923							
T0007288	Int.	China							

Figure 1 illustrates the common Gateway external form-factor. The differences between the options are limited to the bulkhead field.

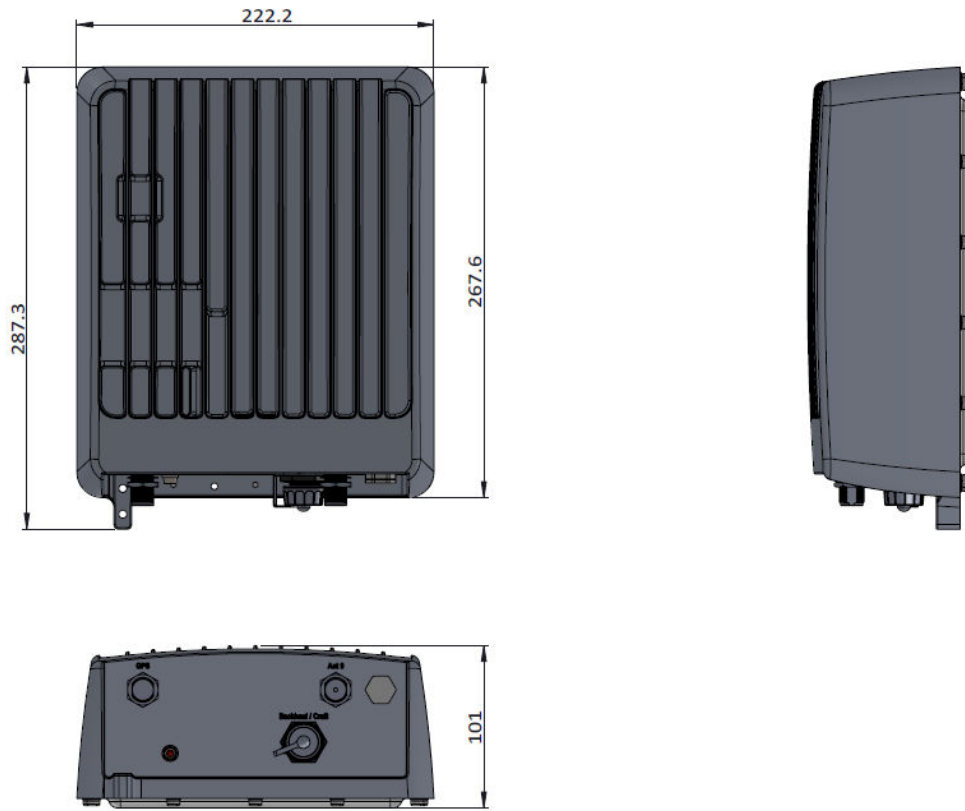


Figure 1: Kona Mega Gateway Common Dimensions

1.2 Bulkhead Layout

The Kona Mega Gateway bulkhead component fields are detailed in the following figures.

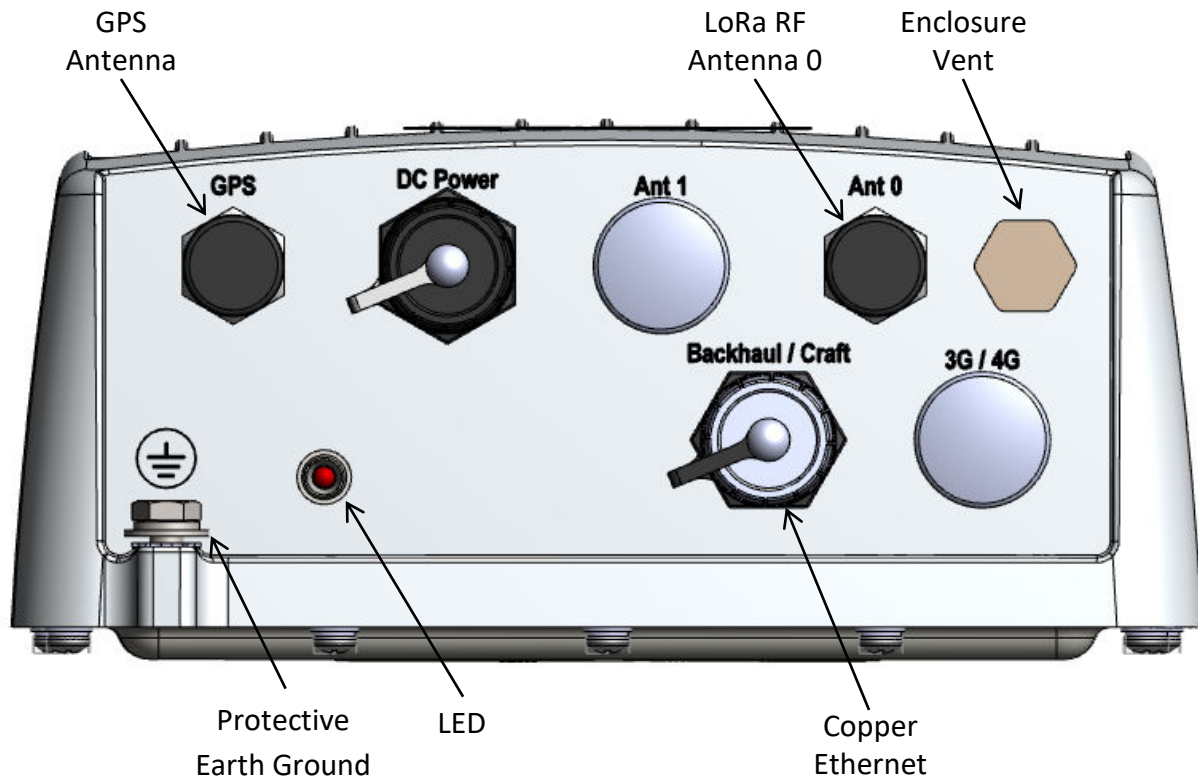


Figure 2: Kona Mega Gateway Option #1 with CPC Connector Bulkhead Field

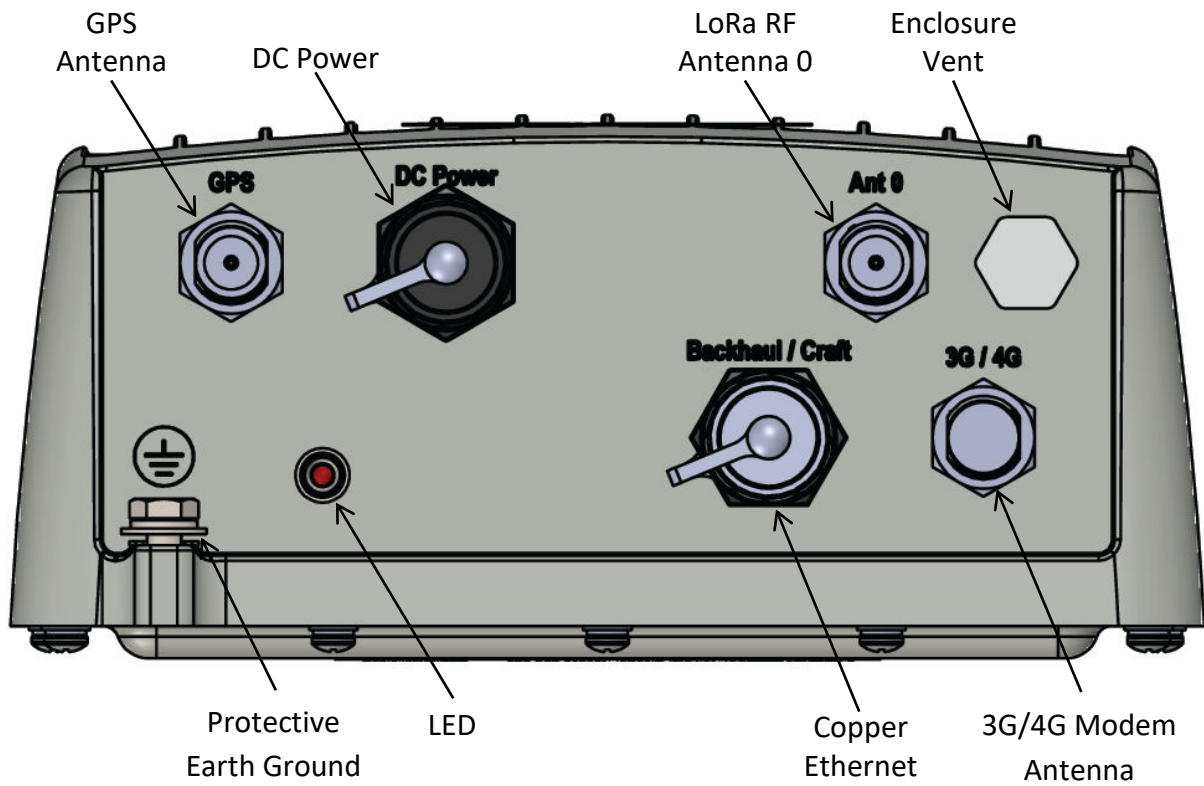


Figure 3: Kona Mega Gateway Option #2 with CPC Connector Bulkhead Field

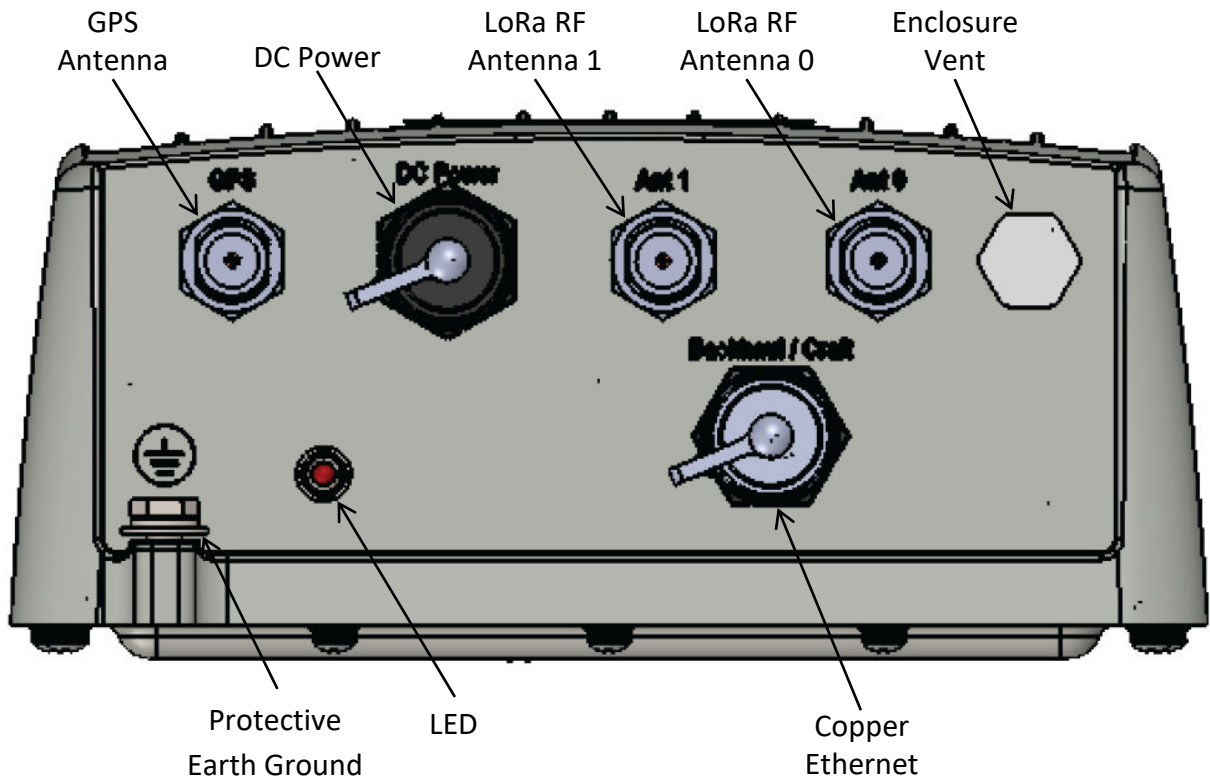


Figure 4: Kona Mega Gateway Option #3 Bulkhead Field

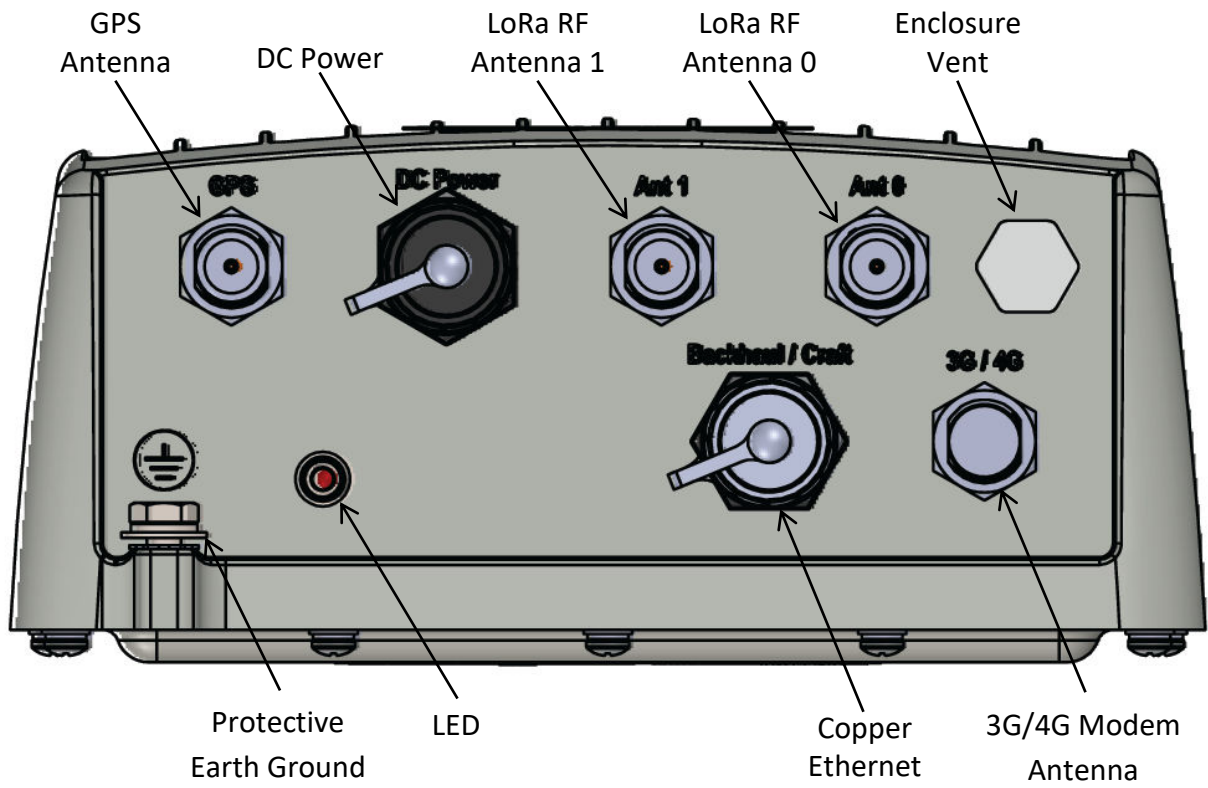


Figure 5: Kona Mega Gateway Option #4 Bulkhead Field

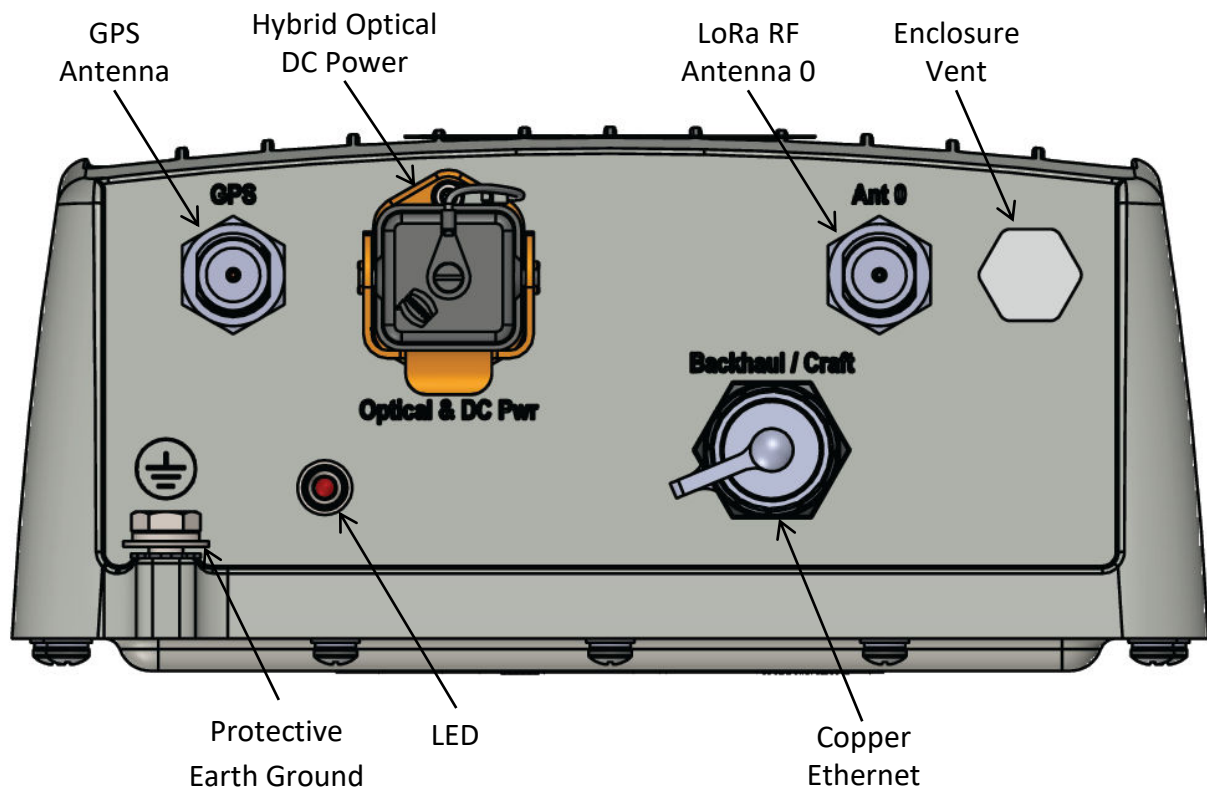


Figure 6: Kona Mega Gateway Option #5 Bulkhead Field

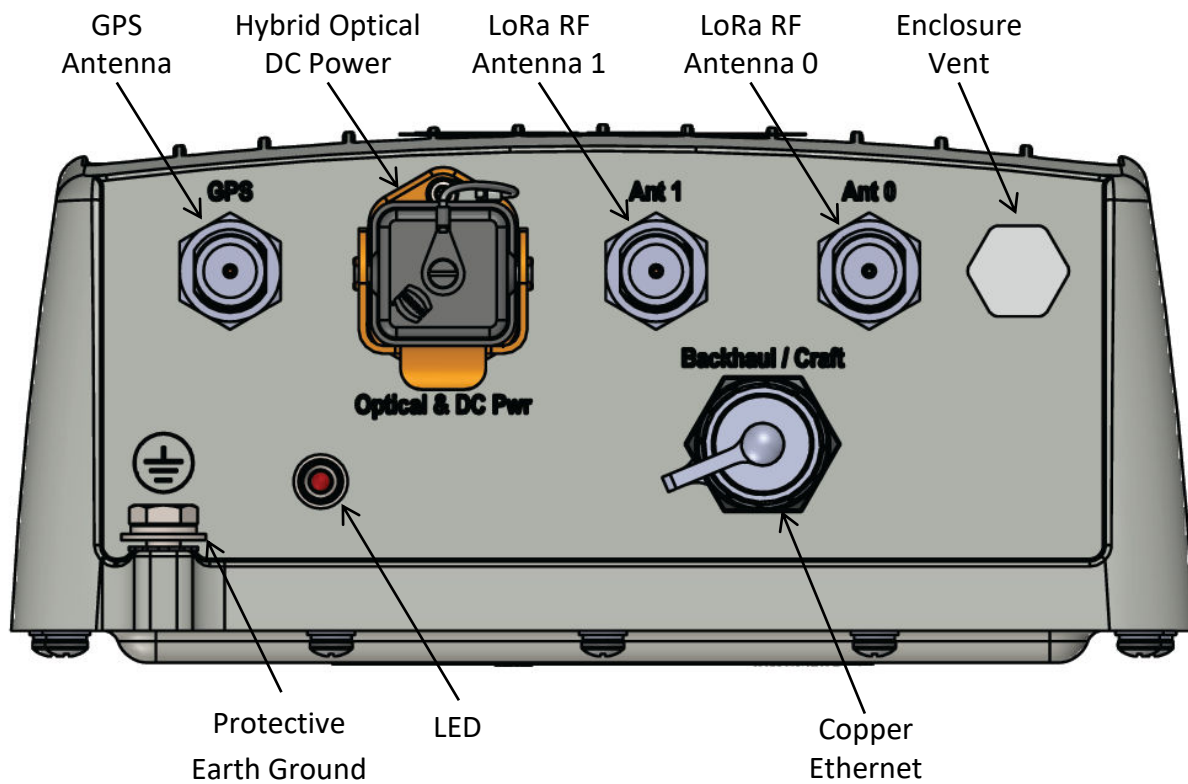


Figure 7: Kona Mega Gateway Option #6 with Hybrid Optical Connector Bulkhead Field

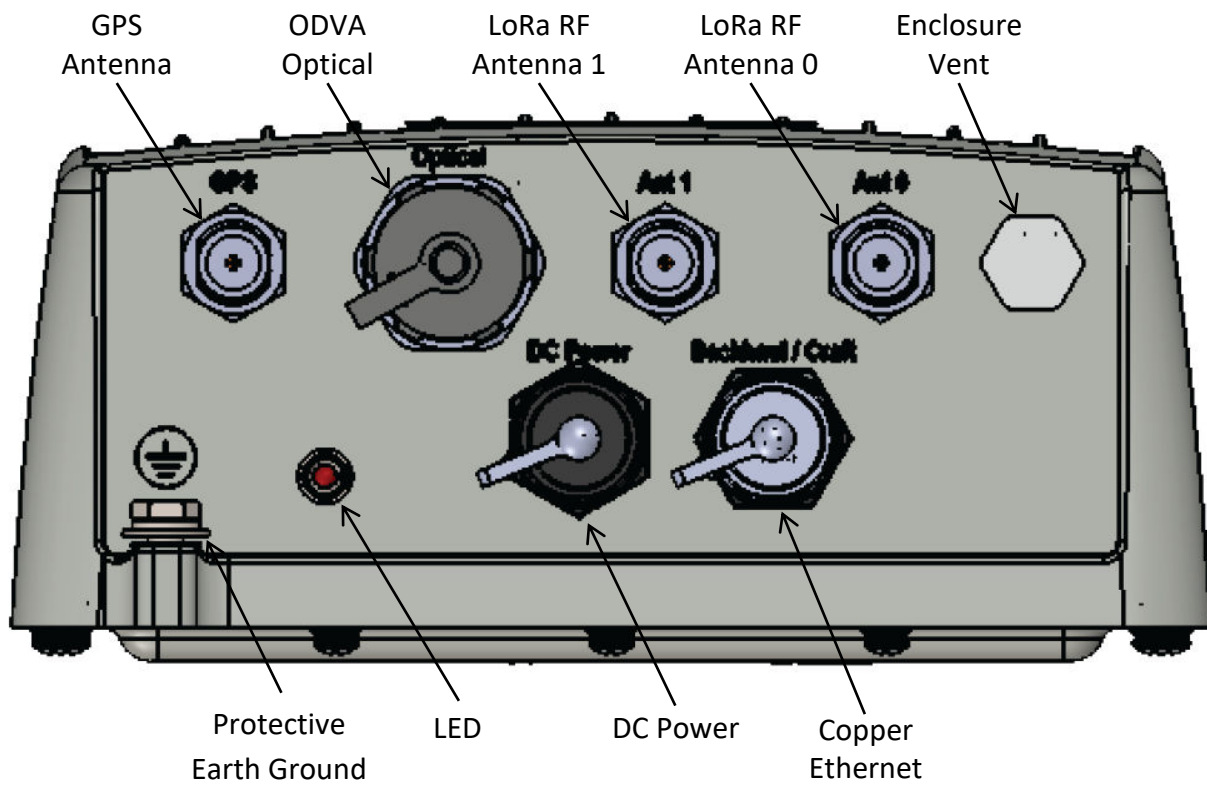


Figure 8: Kona Mega Gateway Option #6 with ODVA Optical Connector Bulkhead Field

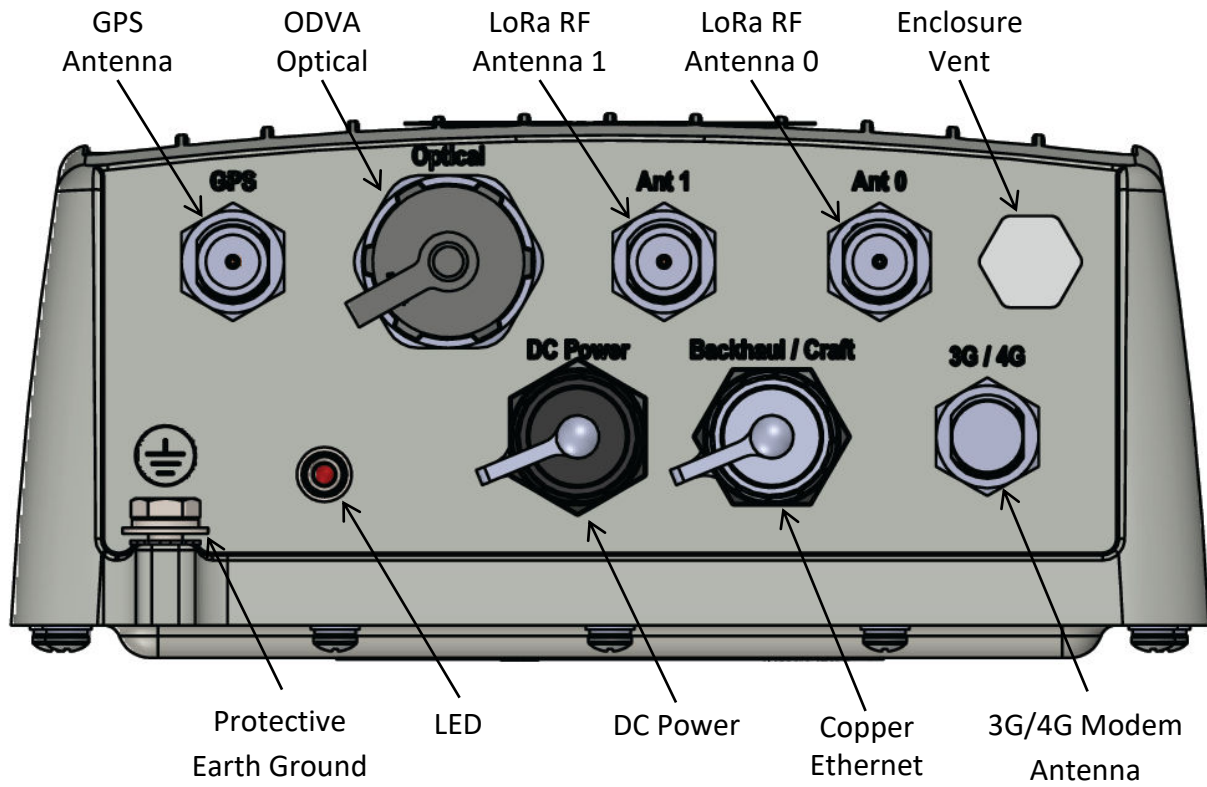


Figure 9: Kona Mega Gateway Option #7 Bulkhead Field

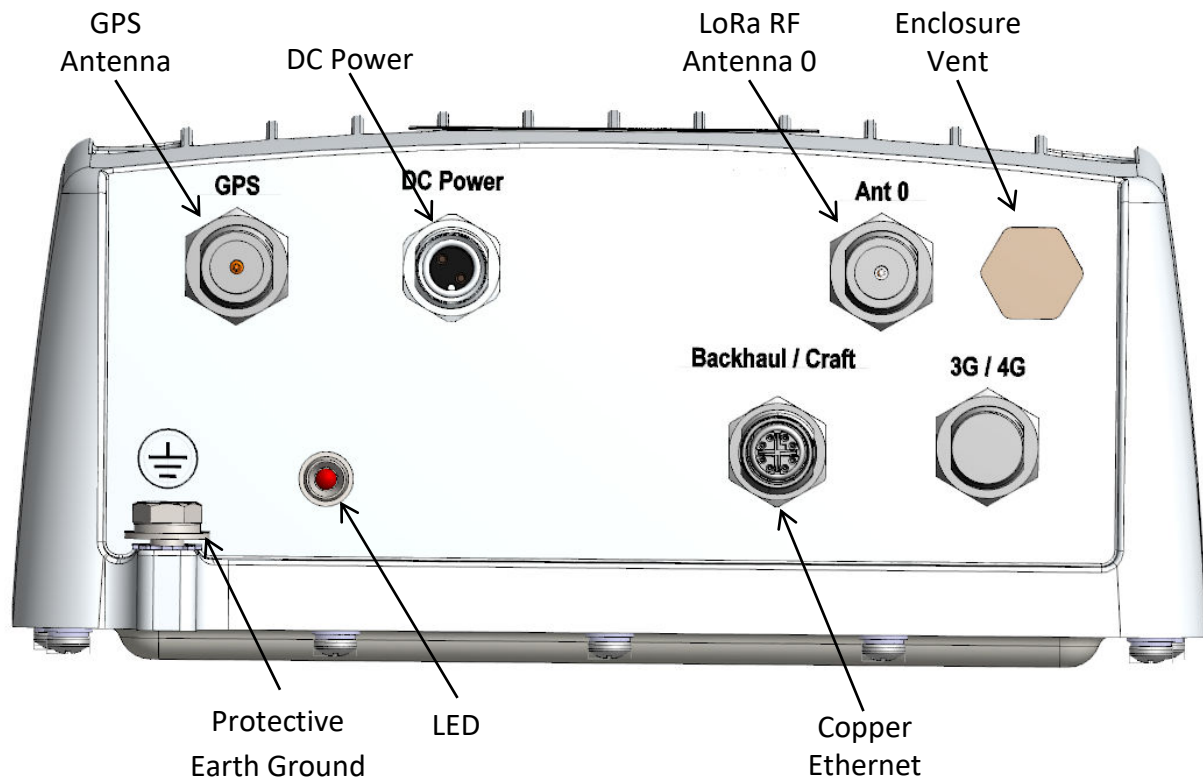


Figure 10: Kona Mega Gateway Option #2 with M12 Connectors Bulkhead Field

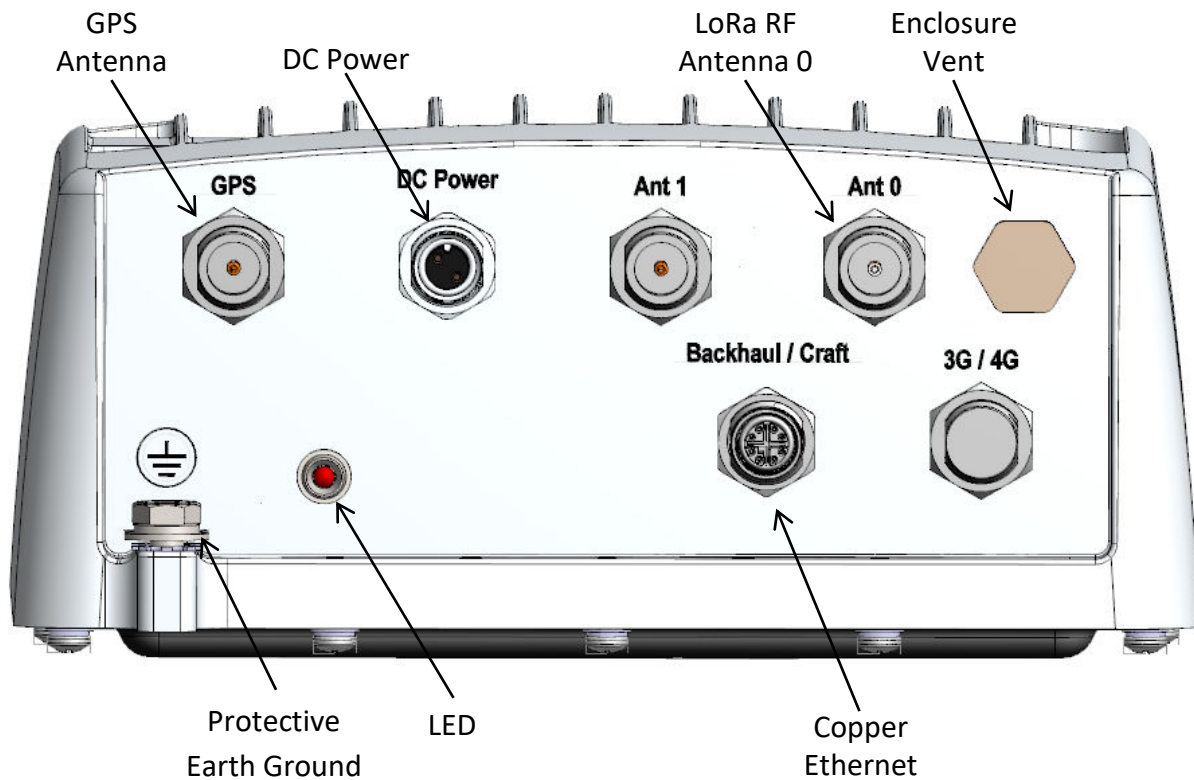


Figure 11: Kona Mega Gateway Option #4 with M12 Connectors Bulkhead Field

All Kona Gateway module interconnect is located on the bottom facing bulkhead. The RF connectors are water proof while un-mated but all other connectors must be terminated with mating connectors or covered with the supplied protective cap when not in use in order to be water tight. Connector types and their mating connectors are listed in Table 2.

Table 2: Kona Mega Gateway Interface Connector Types

Interface	Connector Type	Mating Connector
LoRa Antenna	N-Type female	Industry standard N-Type male
Cellular Antenna	N-Type female	Industry standard N-Type male
GPS Antenna	N-Type female	Industry standard N-Type male
Copper Ethernet (CPC connector)	Circular plastic threaded, RJ-45	Shenzhen Chogori Technology Co., Ltd. Approved mating connector (p/n 33000111-02 or equivalent)
Copper Ethernet (M12 connector)	M12 male threaded, 8 contact, X-coded	TE Connectivity 2327989-1 or equivalent

DC Power Input (CPC connector)	Circular plastic threaded, 2 contact, DC power	Shenzhen Chogori Technology Co., Ltd. Approved mating connector (p/n 23002211-02 or equivalent)
DC Power Input (M12 connector)	M12 male threaded, 2 contact, A-coded	TE Connectivity T4111002021-000 or equivalent
Optical (ODVA connector)	ODVA socket, single mode, LC duplex	TE Connectivity 1828618-2 or equivalent
Hybrid Optical / DC Power Input	Harting Hybrid Optical / DC Power	Harting Technology Group approved mating connector
Earth Ground	1/4 - 20 UNC double hole	Industry standard 2-hole lug, 1/4 x 0.75" spacing

1.3 Specifications

The Kona Mega Gateway specifications are listed in Table 3.

Table 3: Kona Mega Gateway Specifications

Attribute	Specification
Dimensions	222.2mm (8.7") wide x 101mm (4.0") deep x 287.3mm (11.3") tall
Weight	5.1 kg (11.3 lbs)
Operating Temperature	-40°C to 60°C (-40°F to 140°F) at sea level Including solar loading.
Relative Humidity	10% to 100%
Operating Altitude	-60 m to 4,000 m (-197 ft to 13,123 ft)
Power Input, Direct DC	48 VDC nominal, 37 to 57 VDC operating range (after 42 V maximum start-up threshold). Positive or negative ground referenced feed. SELV & LPS source required. Maximum 10A input overcurrent protection.
Power Input, PoE	IEEE 802.3 at over all four pairs (Mode A + Mode B) required
Power Consumption	35 W maximum
Weather Tightness	UL Type 6 (IP-67)
Regulatory Compliance	CSA/UL/EN 62368-1, CSA/UL/EN 60950-1, CSA/UL/EN 60950-22CE FCC Pt. 15 Class B
Surge Protection	All interfaces are protected to primary levels except for the 3G/4G modem antenna port which supports local antenna mounting only or requires an external surge suppressor.

2 Installation

2.1 Safety Precautions

- Installation, operation, and maintenance of the Kona Mega Gateway must only be performed by a professionally trained service technician who is aware of all hazards involved.
- The Kona Mega Gateway must be installed in a restricted access location (such that touching of the Gateway by non-service persons is not likely).
- The Kona Mega Gateway may become hot to the touch during normal operation at elevated ambient temperatures. The surface temperature of the Gateway may reach 90°C.
- The Kona Mega Gateway has no internal field serviceable parts. The Gateway module must only be opened by an approved TEKTELIC service center.
- All installation practices must be in accordance with the local and national electrical codes.
- Do not work on the system during periods of lightning activity.
- The Kona Mega Gateway is considered permanently connected equipment. The Protective Earth Ground connection (that is, the two-hole lug to chassis ground) is always required.
- Ensure the Kona Mega Gateway Protective Earth Ground connection is properly terminated prior to the connection of any other interfaces.
- The Kona Mega Gateway contains primary lightning surge suppression on the Direct DC power port, the Copper Ethernet port, the GPS antenna port and the LoRa RF antenna ports. The primary lightning protectors have the ability to bridge the interface isolation boundary during over-voltages. Ensure that the Protective Earth Ground connection is always in place.
- Ensure that the Kona Mega Gateway, its antennas and supporting structures are properly secured to eliminate any physical hazard to people or property. The Gateway must be securely mounted according to the mounting instructions prior to any cable connection and operation.
- The Kona Mega Gateway does not contain a power supply disconnection device; a readily accessible disconnection device must be incorporated external to the Kona Mega Gateway.
- The direct DC powered Kona Mega Gateway shall be supplied through an input overcurrent protection device rated not more than 10 A. The overcurrent protection must have the appropriate current interrupt capacity for the power source and must be incorporated into the non-earthed conductor(s) of the Kona Mega Gateway DC supply.

- For the direct DC power feed option, the DC positive pin must be at positive potential relative to the DC negative pin. If the polarity is reversed, the unit will not sustain damage but will not operate until the connection polarity is corrected.
- Although the Kona Mega Gateway can be powered through either a direct DC input or through power over Ethernet (PoE), simultaneous application of power to both inputs may result in unexpected operation and shall be avoided.
- The Kona Mega Gateway power source must meet SELV requirements.

2.2 Unpacking and Inspection

The following should be considered during the unpacking of a new Kona Mega Gateway.

1. Inspect the shipping carton and report any significant damage to TEKTELIC.
2. Unpacking should be conducted in a clean and dry location when possible.
3. Do not discard the shipping box or foam inserts as they will be required if a unit is returned for repair or re-configuration.

2.3 Required Equipment for Installation

The following tools are required to install the Kona Mega Gateway module:

1. A 6 point metric socket set and torque wrench drive.
2. Anti-oxidant compound (NO-OX-ID, Penetrox, Noalox, Ox-Gard or equivalent).
3. A small wire brush.
4. A clean cloth.
5. Weatherproofing tape kit for the RF connectors (Scotch Wireless Weatherproofing Kit, WK-101 recommended).
6. Appropriately sized pipe clamps for pole mounting or appropriate screws or bolts (four sized M8) with any required anchors according to the wall construction for wall mounting.

2.4 Kona Mega Gateway Mounting

Kona Mega Gateway is designed to be mounted to a vertical pole or wall using a mounting bracket. The mounting bracket is a single part that bolts to the back surface of the Gateway using supplied hardware (four M6x1.0 - 14 mm bolts with flat and star lock washers) as illustrated in Figure 12. The Gateway module must be oriented with the connector bulkhead facing down, towards earth.

Ensure that the structure to which the Gateway is being mounted is secure and able to support a dead load of at least 136 kg (300 lbs). The area below must be free of any obstructions to cable ingress.

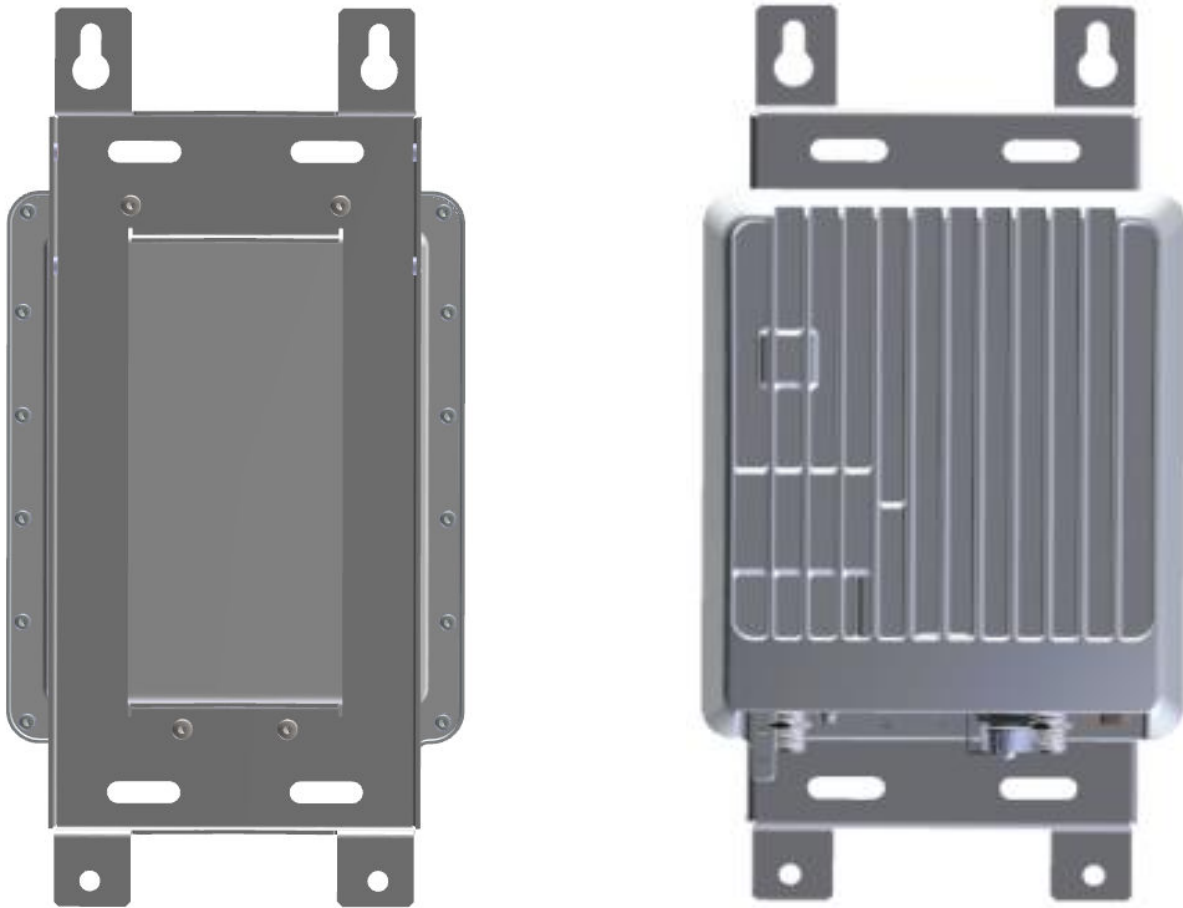


Figure 12: Kona Module with Mounting Bracket

The Kona Mega Gateway wall mounting procedure is as follows:

1. Bolt the wall mounting bracket to the Gateway module using the supplied bolts and washers.
2. Install 2 site supplied M8 bolts into the wall at 139.7 mm (5.5") center spacing, leaving the bolt heads protruding with a 2mm gap from the wall surface.
3. Hang the Kona Mega Gateway with bracket from the two bolts by inserting the keyhole slots at the top of the bracket onto the 2 bolts and tightening the bolts.
4. Insert and tighten two additional site supplied M8 bolts through the holes at the bottom of the bracket.

The Kona Mega Gateway pole mounting procedure is as follows:

1. Bolt the wall mounting bracket to the Gateway module using the supplied bolts and washers.
2. While temporarily supporting the Gateway with bracket, install the two site supplied pipe clamps, one through each of the upper and lower slotted clamp mounting points.

2.5 Ground Cable Installation

The Kona Mega Gateway is considered Permanently Connected Equipment and requires a permanently connected Protective Earth Ground (PEG) conductor. The Protective Earth Ground connection is made through a 1/4 x 0.75" on center double hole lug to the ground termination point illustrated in Figure 13. The ground cable gauge shall be #10 AWG minimum.

The Kona Mega Gateway grounding system shall follow local and national electrical codes. The Protective Earth Ground conductor terminated at the double hole lug point is mandatory and must be the first connection made to the Kona Mega Gateway during installation. Proper routing and termination of this cable is key to robust lightning withstand performance; in high susceptibility installations, every effort shall be made to minimize connection inductance and ground bed resistance.

The ground cable installation steps are as follows:

1. Lightly abrade the surface of the casting ground area with a fine wire brush to remove the oxide layer.
2. Use a clean cloth to remove any debris from this surface.
3. Immediately coat the contact surface with a thin layer of anti-oxidant compound.
4. Install the ground cable through its 2-hole lug onto the chassis ground point using the two supplied 1/4 - 20 x 1/2" bolts with flat and star lock washers, torqued to 10.4 Nm (92 in·lbs).

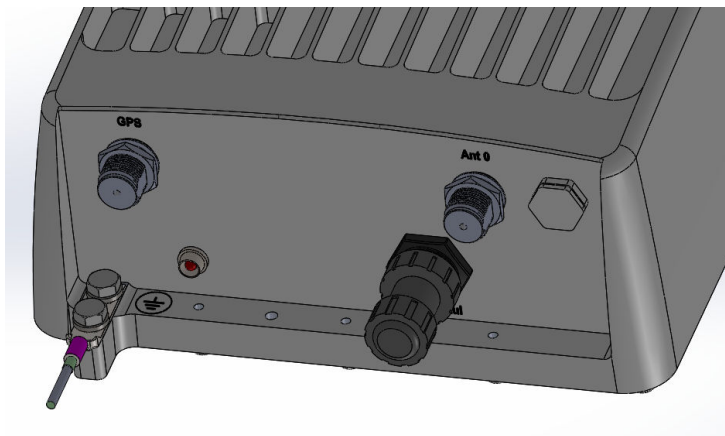


Figure 13: Chassis Ground Connection

2.6 Direct DC Power Cable Installation

Depending on the model, the Kona Mega Gateway direct DC feed may terminate at a dedicated two pin circular plastic connector (CPC), a two pin M12 circular metal connector, or at a hybrid three pin DC with optical connector. In all cases the direct DC power input is isolated from chassis (earth) with the exception of the primary surge suppressors. One lead of the DC power feed is normally earth referenced external to the Kona Mega Gateway (usually at the power source by convention).

The DC power cable shall be rated for outdoor application and in accordance with local and national electrical codes.

The CPC DC connector shall be as specified in Table 2 and shall follow the signal polarity identified in Figure 14.

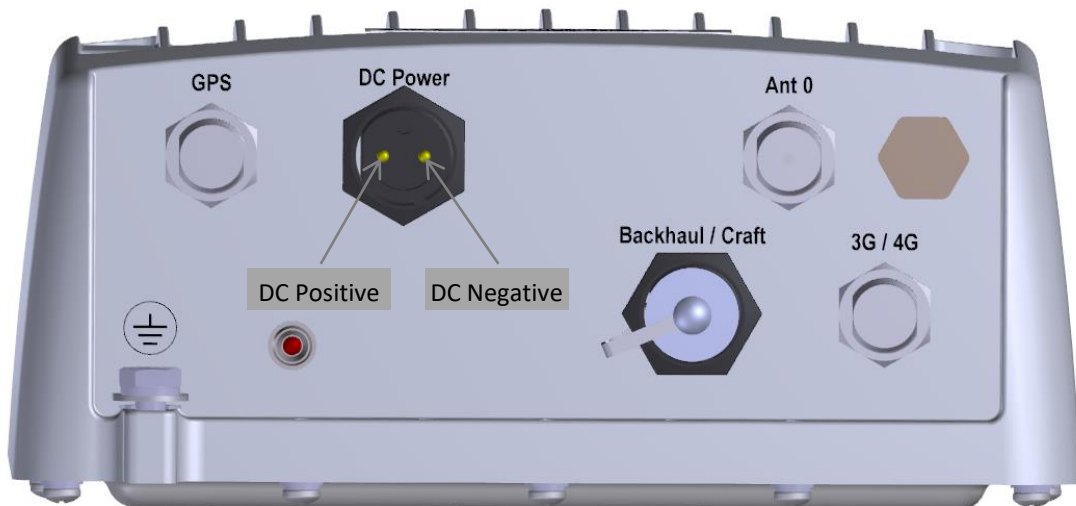


Figure 14: Direct DC Power CPC Connector Connection Polarity

The M12 DC connector shall be as specified in Table 2 and shall follow the signal polarity identified in Figure 15.

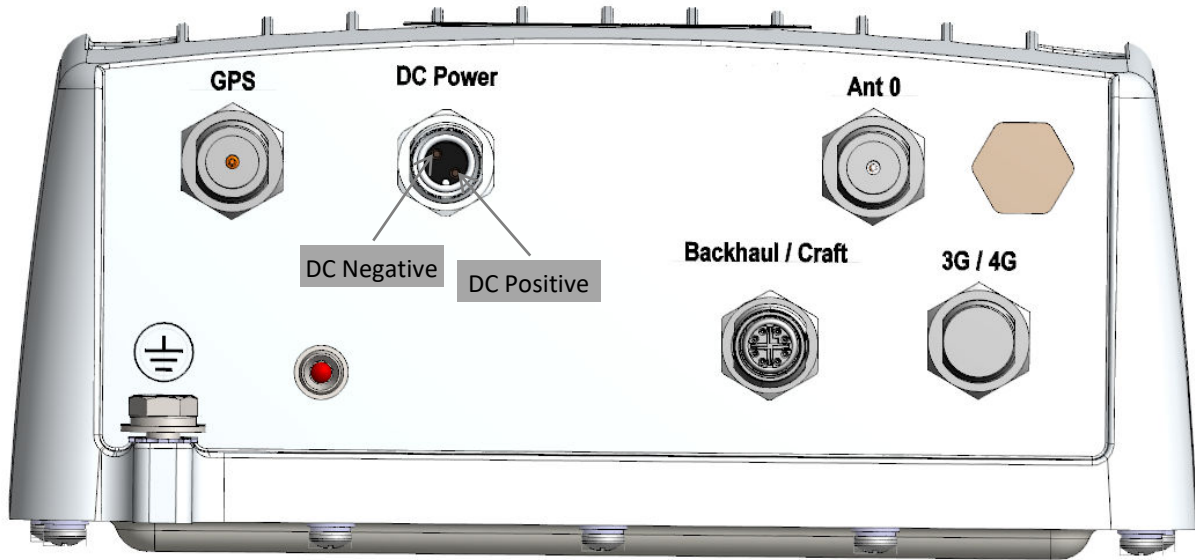


Figure 15: Direct DC Power M12 Connector Connection Polarity

The hybrid direct DC power connector shall be as specified in Table 2 and shall follow the signal polarity identified in Figure 16. Note: Although this connector supports a third wire for a ground connection, this ground is supplementary and does not replace the principal ground wire terminated at the two-hole lug chassis ground point.

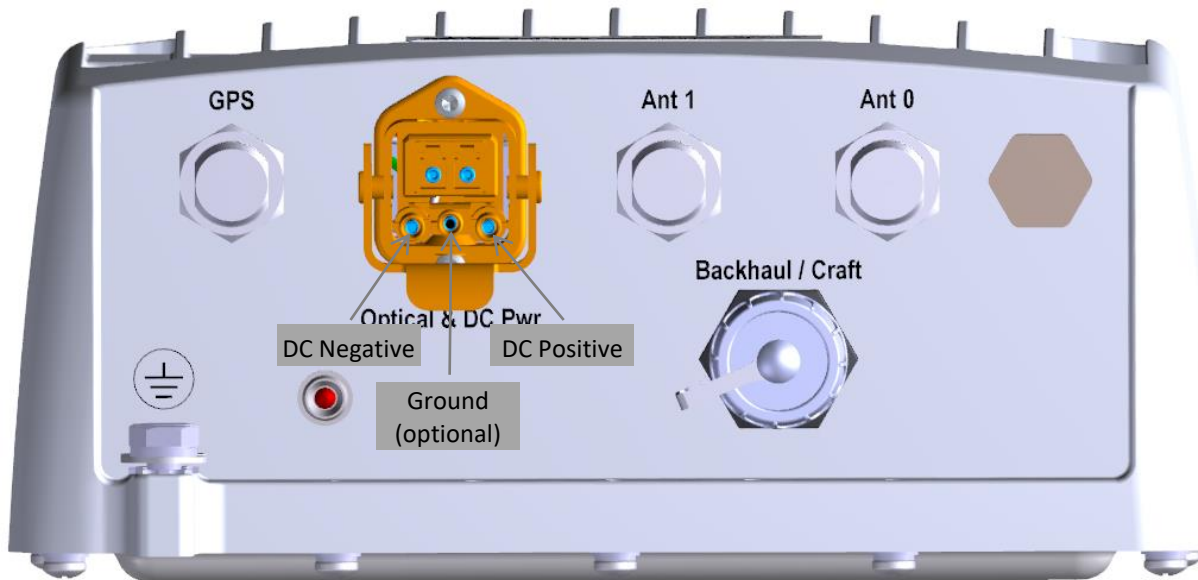


Figure 16: Hybrid Connector Direct DC Power Connection Polarity

2.7 RF Cable Installation

The Gateway installation will require connection to a GPS antenna, one or two LoRa RF antennas, and optionally a 3G/4G modem antenna. The RF cables attach to the N-Type connectors on the bottom of the Kona Mega Gateway. Torque the connectors to 1.7 to 2.3 Nm (15 to 20 in-lbs). The N-Type connector interface to a cable is not water proof and must be taped to be used outdoors. TEKTELIC recommends taping with Scotch Wireless Weatherproofing Kit, WK-101. Follow the taping procedures outlined by the supplier of this tape system.


Note that the 3G/4G modem antenna port is not surge protected and, accordingly, the antenna must be located with the Gateway module or, if remotely located, an external surge suppressor must be provisioned.

2.8 Copper Ethernet Cable Installation

The Kona Mega Gateway Ethernet port may be used on a temporary basis for commissioning and maintenance or may be permanently connected for backhaul. When the port is not in use, the weatherproof protective cap must be installed. When the port is permanently connector for backhaul, a proper water-tight mating connector specified in Table 2 must be used.

The Ethernet cable must have minimum 24 AWG conductors and shall be rated for outdoor application according to local and national electrical codes.

2.9 Proposition 65 Statement

 **WARNING:** This product can expose you to chemicals including lead, beryllium & nickel, which is known to the State of California to cause cancer, birth defects or other reproductive harm. For more information, go to www.P65Warnings.ca.gov.

3 Radio Compliance Statements

Federal Communications Commission

This device complies with Part 15 of the FCC Rules. Operation is subject to the following two conditions:

1. This device may not cause harmful interference, and
2. This device must accept any interference received, including interference that may cause undesired operation.

Changes or modifications not expressly approved by the party responsible for compliance could void the user's authority to operate the equipment

This equipment has been tested and found to comply with the limits for a Class B digital device, pursuant to Part 15 of the FCC Rules. These limits are designed to provide reasonable protection against harmful interference in a residential installation. This equipment generates uses and can radiate radio frequency energy and, if not installed and used in accordance with the instructions, may cause harmful interference to radio communications. However, there is no guarantee that interference will not occur in a particular installation. If this equipment does cause harmful interference to radio or television reception, which can be determined by turning the equipment off and on, the user is encouraged to try to correct the interference by one of the following measures:

- Reorient or relocate the receiving antenna.
- Increase the separation between the equipment and receiver.
- Connect the equipment into an outlet on a circuit different from that to which the receiver is connected.
- Consult the dealer or an experienced radio/TV technician for help.

To comply with FCC/IC RF exposure limits for general population / uncontrolled exposure, the antennas used for this transmitter must be installed to provide a separation distance of at least 80 cm from all persons and must not be co-located or operating in conjunction with any other antenna or transmitter.

Industry Canada

This Device complies with Industry Canada License-exempt RSS standard(s). Operation is subject to the following two conditions:

1. This device may not cause interference, and
2. This device must accept any interference, including interference that may cause undesired operation of the device.

This radio transmitter (certification number) has been approved by Industry Canada to operate with the antenna types listed below with the maximum permissible gain indicated. Antenna types not included in this list, having a gain greater than the maximum gain indicated for that type, are strictly prohibited for use with this device.

The required antenna impedance is 50 ohms.

Only antenna with maximum gain of 8dBi can be used for the LoRa radios of this product if the cable insertion loss at 900 MHz is 0.5dB or more for 1 carrier operation at 28.5dBm or 2dB or more for 2 carrier operation at 30dBm total. Antenna(s) shall be installed to location providing a separation distance of at least 31.5 inches (80 cm) from any human body.

During product operation, always keep a separation distance of at least 31.5 inches (80 cm) from any connected antenna(s). Before servicing the product, the antenna(s) or cables, turn off the transmission function or the unit power if you have to get closer than the minimum separation distance.

The 3G/4G modem antenna maximum allowed gain including cable loss shall be in accordance with the following table:

Technology	Band	Frequency (MHz)	Maximum Antenna Gain (dBi)
LTE	2	1850–1910	3.0
	4	1710–1755	6.0
	5	824–849	3.0
	13	777–787	6.0
	17	704–716	6.0
	25	1850–1915	3.0
UMTS	2	1850–1910	3.0
	4	1710–1755	6.0
	5	824–849	3.0
GSM	850	824–849	3.0
	1900	1850–1910	3.0
CDMA	BC0	824–849	3.0
	BC1	1850–1910	3.0
	BC10	817–824	3.0

4 Déclarations de conformité à la radio

Industrie Canada

Cet appareil est conforme aux normes RSS d'Industrie Canada exemptées de licence. Son fonctionnement est soumis aux deux conditions suivantes:

1. Cet appareil ne doit pas provoquer d'interférences et
2. Cet appareil doit accepter toute interférence, y compris les interférences pouvant entraîner un fonctionnement indésirable de l'appareil.

Cet émetteur radio (numéro de certification) a été approuvé par Industrie Canada pour fonctionner avec les types d'antennes énumérés ci-dessous avec le gain maximal autorisé indiqué. Les types d'antennes non inclus dans cette liste, ayant un gain supérieur au gain maximal indiqué pour ce type, sont strictement interdits avec ce périphérique.

L'impédance d'antenne requise est de 50 ohms.

Seule une antenne avec un gain maximal de 8dBi peut être utilisée pour les radios LoRa de ce produit si la perte d'insertion de câble à 900 MHz est de 0,5dB ou plus pour une opération de porteuse à 28,5dBm ou 2dB ou plus pour un fonctionnement de 2 porteurs à 30dBm au total. Une ou plusieurs antennes doivent être installées à un emplacement situé à au moins 31,5 pouces (80 cm) de tout corps humain.

Pendant le fonctionnement du produit, conservez toujours une distance de séparation d'au moins 31,5 cm (80 cm) de toute antenne connectée. Avant de réparer le produit, la ou les antennes ou les câbles, désactivez la fonction de transmission ou la puissance de l'unité si vous devez vous rapprocher de la distance de séparation minimale.

Le gain maximal admissible de l'antenne du modem 3G / 4G, y compris la perte de câble, doit être conforme au tableau suivant:

Technology	Band	Frequency (MHz)	Gain maximum d'antenne (dBi)
LTE	2	1850–1910	3.0
	4	1710–1755	6.0
	5	824–849	3.0
	13	777–787	6.0
	17	704–716	6.0
	25	1850–1915	3.0
UMTS	2	1850–1910	3.0
	4	1710–1755	6.0
	5	824–849	3.0
GSM	850	824–849	3.0
	1900	1850–1910	3.0
CDMA	BC0	824–849	3.0
	BC1	1850–1910	3.0
	BC10	817–824	3.0