





KONA Mega EU IoT Gateway

High Capacity LoRaWAN® Gateway for Global Deployments

The **KONA Mega EU IoT Gateway** provides network operators with a field-proven product for the deployment of LoRaWAN® networks in the global EU868 band. The KONA Mega Gateway offers superior RF performance with multiple Rx/Tx antennas, which improve the end device SNR resulting in improved link budget and better battery performance. To mitigate real world RF interference the KONA Mega gateway comes with built-in custom High-Q RF Cavity filters that offer high levels of Rx Selectivity and Out-of-Band rejection. It is ideal for public and private network operators that require cost-effective and reliable gateways with multiple Rx and Tx Channels to maximize their network investment for years to come.



 REGION WIDE NETWORK COVERAGE	 INDUSTRIAL OIL & GAS
 HIGH DENSITY NETWORKS	 COMMERCIAL FARMING
 SMART UTILITIES	 REMOTE MONITORING
 SMART CITIES	 REMOTE ASSET TRACKING



Key Features

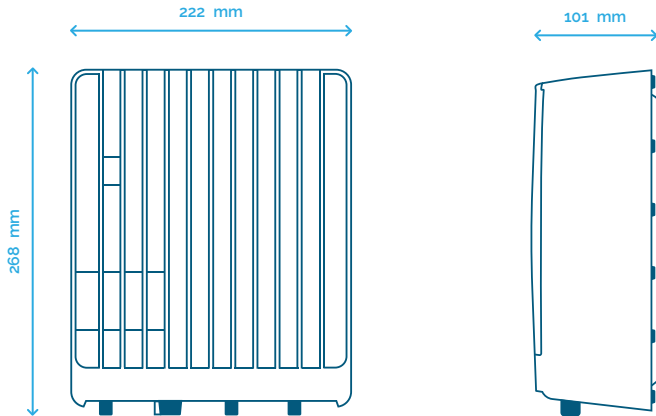
- EU 868 Channel Plan
- Time Duplex 32 + 4 Rx / 4 Tx
- Dual Antenna Support for Rx Diversity
- Double Simultaneous Tx Channels
- Integrated Cellular Modem
- Copper Ethernet Backhaul
- Rated IP67 Enclosure
- Hardened Carrier Grade Enclosure
- Up To 14 dBm Tx Power per Antenna
- High Linearity LNA/Receiver
- Integrated Cavity Filter
- Precise Network Synchronization (GPS)
- Integrated GPS Holdover
- Geolocation Support

Key Product Differentiators

- High availability carrier grade design with support of in-service configuration and software updates
- Environmentally hardened aluminium enclosure fully tested to withstand extreme temperature conditions.
- Innovative multiple antenna configuration supporting Rx diversity for 32 channels.
- Excellent isolation between the Tx and Rx bands, with strong out-of-band rejection of Cellular and adjacent-band interference
- Day-One scalability supporting millions of Rx messages per day.
- Easy to deploy, supporting different backhaul and power options.
- Fully integrated with the broader eco-system of LoRa™ network servers and sensors.

Technical and Functional System Specifications

Mechanical Parameters		Software and Management	
MTBF	450,000 hours	Tools	Access Control List management
DC Power Consumption	20 W (Typical)		Cellular Parameter Configuration
Operational Temperature	-40°C to +60°C		System Health Monitor
Operational Humidity	10% to 100% Condensing		Radio Configuration and Control
Ingress Protection	IP67		Remote Software Upgrade
Size	222 x 268 x 101 mm		Active and Passive Image Management
Weight	5 kg		Factory image provisioning
Volume	6 L		Kona Link Tool
LoRa Radio Parameters		Networking	DHCPv4 client
Channel Plans	863 - 870 MHz		TFTP server
Tx Power	2 x 14 dBm		HTTP server
Rx Sensitivity	-142 dBm (SF12, 293 bits/sec)		Firewall and Access Lists
Rx Noise Figure	3.5 dB		
Rx Linearity	-10 dBm		
Rx Dynamic Range	70 dB Analog, 100+ dB Digital	Interfaces	
Tx to Rx Isolation	75 dB	Ethernet Backhaul	RJ-45 & PoE (802.3bt)
Regulatory Compliance		GPS	N-Type
Regulatory	CE: RED 2014/53/EU	Cellular Backhaul	N-Type (Optional)
Safety	UL / CSA / EN / IEC 62368-1	LoRa Antenna	N-Type (2nd Port Optional)
		Power	37-57 VDC or PoE++ (802.3 bt)



TEKTELIC Communications is a premier supplier of complete LoRaWAN® IoT solutions. Our end-to-end systems combine network infrastructure, devices, and applications to enable easy, fast, and cost-effective deployment for the most demanding IoT challenges.