



TEKTELIC Communications Inc.
7657 10th Street NE Calgary, Alberta
Canada, T2E 8X2

KONA ENTERPRISE GATEWAY

USER GUIDE

Document Type:	User Guide
Document Number:	T0007323_UG
Document Issue:	1.6
Document Status:	Released
Product Name:	Kona Enterprise Gateway
Product Code:	See Table 1
Issue Date:	September 12, 2024

PROPRIETARY:

The information contained in this document is the property of TEKTELIC Communications Inc. Except as specifically authorized in writing by TEKTELIC, the holder of this document shall keep all information contained herein confidential, and shall protect the same in whole or in part from disclosure to all third parties.

© 2024 TEKTELIC Communications Inc., all rights reserved.

All products, names, and services are trademarks and registered trademarks of their respective companies.

TEKTELIC Communications Inc.
7657 10th Street NE
Calgary, AB, Canada T2E 8X2
Phone: (403) 338-6900

Document Revision

Revision	Issue Date	Status	Editor	Comments
0.1	Nov 19, 2020	Obsolete	H. Agus	First release
1.0	March 23, 2021	Obsolete	CA	2 nd Revision
1.1	April 14, 2021	Obsolete	H. Agus	3 rd Revision
1.2	April 19, 2021	Obsolete	SM	Updated power specification
1.3	May 20, 2021	Obsolete	ZH	Updated T-Codes/Order Codes
1.4	July 14, 2021	Obsolete	H, Agus	Professional Installation Remark
1.5	June 29, 2021	Obsolete	CA	Add Note in Section 2.3 Update SIM Slot
1.6	Sept. 12, 2024	Released	SM	Added Ethernet port grommet information

Table of Contents

List of Tables	4
1 Product Description	5
1.1 Overview	5
1.2 Physical Interfaces	7
1.3 Specifications.....	7
2 Installation	9
2.1 Overview	9
2.2 Unpacking and Inspection	9
2.3 Dual SIM Slot Operation	10
2.4 Required Equipment for Installation.....	10
2.5 Kona Enterprise Gateway Mounting.....	11
2.6 Ground Cable Installation	13
2.7 RF Cable Installation	14
2.8 Copper Ethernet Cable Installation.....	15

List of Tables

Table 1: Kona Enterprise Gateway Models	5
Table 2: Kona Enterprise Gateway Interface Connector Types	7
Table 3: Kona Enterprise Gateway Specifications	7

1 Product Description

1.1 Overview

The Kona Enterprise Gateway module, shown in Figure 1, is a low-power micro-cell gateway with wide-area coverage (up to 500 km²). The module consists of 1 Semtech SX1301 base-band processor multiplexed through an FPGA to provide 8 simultaneous narrowband channels. The design offers both downlink and uplink operations in time-duplex mode. The gateway supports internal LoRa antenna, internal GPS, copper Ethernet backhaul, and optional 3G/4G wireless backhaul with internal Cellular antennas. The gateway also supports external LoRA and Main Cellular antennas via switched-N bulk connector. The Kona Enterprise Gateway is powered through Power Over Ethernet (PoE 802.3af).

Table 1 presents the currently available Kona Enterprise Gateway models.

Table 1: Kona Enterprise Gateway Models

Model	Order Code	3G/4G modem	Region	Frequency Band
T0007242	MOEN1LUS915	Yes	North America	915
T0007422	MOEN1NUS915	No	North America	915
T0007358	MOEN1LEU868	Yes	Europe	863-870
T0007358	MOEN1LIN868	Yes	India	865-867
T0007423	MOEN1NEU868	No	Europe	863-870
T0007423	MOEN1NIN868	No	India	863-870
T0007422	MOEN1NBC923	No	Brunei, Cambodia, Indonesia, Laos	923-925
T0007435	MOEN1LBC923	Yes	Brunei, Cambodia, Indonesia, Laos	923-925
T0007422	MOEN1NJP923	No	Japan	920-928
T0007435	MOEN1LJP923	Yes	Japan	920-928
T0007422	MOEN1NNZ923	No	New Zealand	915-928
T0007435	MOEN1LNZ923	Yes	New Zealand	915-928
T0007422	MOEN1NSN923	No	Singapore, Thailand, Vietnam	920-925
T0007435	MOEN1LSN923	Yes	Singapore, Thailand, Vietnam	920-925

T0007422	MOEN1NTW923	No	Taiwan	922-928
T0007435	MOEN1LTW923	Yes	Taiwan	922-928
T0007422	MOEN1NAU915	No	Australia	915-928
T0007435	MOEN1LAU915	Yes	Australia	915-928

Figure 2 illustrates the Kona Enterprise Gateway external form-factor. All models share the same mechanical form-factor.

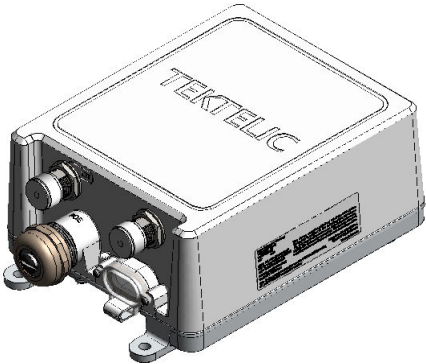


Figure 1: Kona Enterprise Gateway

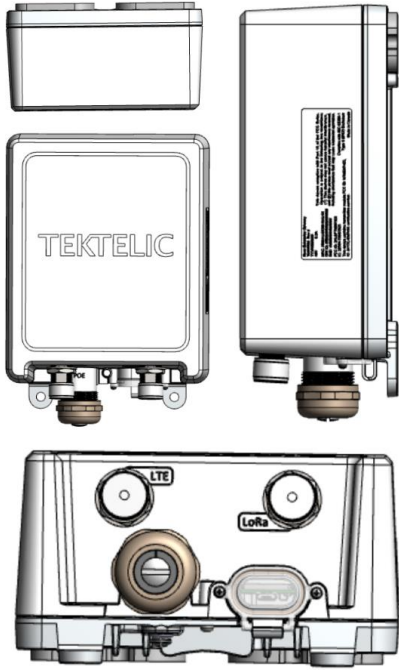


Figure 2: Kona Enterprise Gateway

1.2 Physical Interfaces

Figure 3 illustrates the bulkhead layout for the Kona Enterprise Gateway.

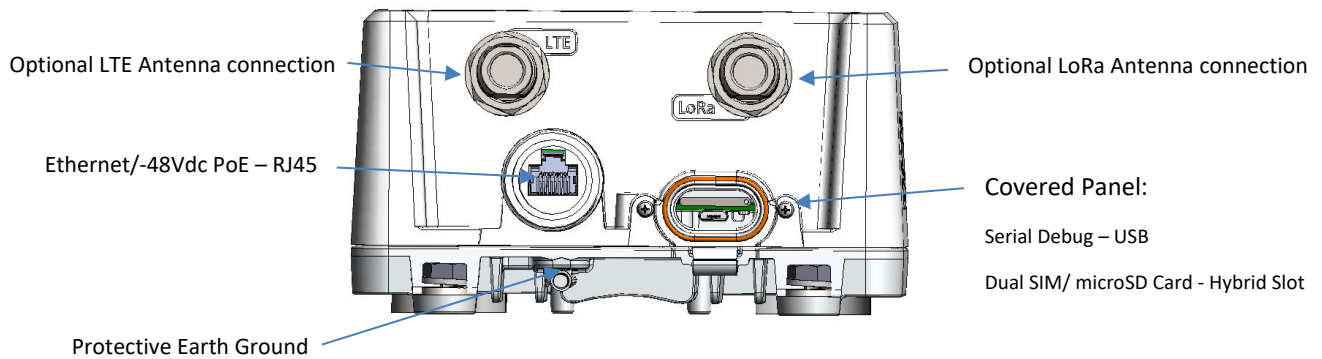


Figure 3: Kona Gateway Bulkhead Layout

The Kona Enterprise Gateway connectors are listed in Table 2.

Table 2: Kona Enterprise Gateway Interface Connector Types

Interface	Connector Type	Mating Connector
LoRa Antenna	N-Type female	Industry standard N-Type male
Cellular Antenna	N-Type female	Industry standard N-Type male
Copper Ethernet	RJ45 Modular Jack	RJ45 modular plug followed by CAT 5e cable
Earth Ground	Compression lug	Industry standard single-hole lug, M4 (#8)

1.3 Specifications

The Kona Enterprise Gateway specifications are listed in Table 3.

Table 3: Kona Enterprise Gateway Specifications

Attribute	Specification
Dimensions	208x146x80 mm
Weight	1160 g
Operating Temperature	-40 °C to 60 °C
Relative Humidity	10% to 100 % Condensing
Operating Altitude	-60 m to 4,000 m (-197 ft to 13,123 ft)

Power Input	IEEE 802.3af, Mode A or Mode B or 4-pair Mode 48 VDC nominal, 37 to 57 VDC operating range 0.3 A maximum
Ingress Protection	IP-67
Regulatory Compliance	Safety: UL/CSA/EN/IEC 62368-1 Radiated Immunity: EN 61000-4-3 ESD Immunity: EN 61000-4-2 EFT Immunity: EN 61000-4-4 Conducted Immunity: EN 61000-4-6 Surge Immunity: EN 61000-4-5 Emissions: FCC pt. 15.109 Class B, FCC pt. 15.209, FCC pt. 15.247, EN 300 220, EN 301 489

2 Installation

2.1 Overview

- The Kona Enterprise Gateway has no internal field serviceable parts. The Gateway module must only be opened by an approved TEKTELIC service center.
- All installation practices must be in accordance with the local and national electrical codes.
- Do not work on the system during periods of lightning activity.
- The Kona Enterprise Gateway is considered permanently connected equipment. The Protective Earth Ground connection (that is, the chassis ground) is always required.
- Ensure the Kona Enterprise Gateway Protective Earth Ground connection is properly terminated prior to the connection of any other interface.
- The Kona Enterprise Gateway contains primary lightning surge suppression on the copper Ethernet port, and the LoRa RF antenna port. The primary lightning protectors have the ability to bridge the interface to chassis during over-voltages. Ensure that the Protective Earth Ground connection is always in place.
- An external inline surge protector must be applied to the External Cellular antenna port when used.
- Ensure that the Kona Enterprise Gateway is secured to eliminate any physical hazard to people or property. The Gateway must be securely mounted according to the mounting instructions prior to any cable connection and operation.
- The Kona Enterprise Gateway does not contain a power disconnection device; a readily accessible disconnection device must be incorporated external to the Kona Enterprise Gateway.
- The Kona Enterprise Gateway can only be powered either via PoE (Power-Over-Ethernet) or passive POE combiner. Please note that when using a passive POE combiner, it is vital to use a (minimum 10W) 48V power supply with Hiccup Mode Current Limiting.
- Always ensure the Ethernet connection port and 3G/4G Modem SIM card access port are properly sealed after installation or servicing.

2.2 Unpacking and Inspection

The following should be considered during the unpacking of a new Kona Enterprise Gateway.

1. Inspect the shipping carton and report any significant damage to TEKTELIC.

2. Unpacking should be conducted in a clean and dry location when possible.
3. Do not discard the shipping box or foam inserts as they will be required if a unit is returned for repair or re-configuration.

2.3 Dual SIM Slot Operation

The Kona Enterprise Gateway is equipped with a dual SIM slot which can be configured to the user's liking. The primary and secondary slots can be configured in the software configuration. Prior to inserting or replacing SIM, please ensure that the unit is turned off. If 2 SIM cards are used, and the primary SIM fails or is missing, the failover mechanism will automatically switch over to the secondary SIM. When only one SIM is used, please place the SIM in slot 0 (primary SIM / inner slot) as indicated by Figure 4. Slot 1 is for the secondary SIM (outer slot).

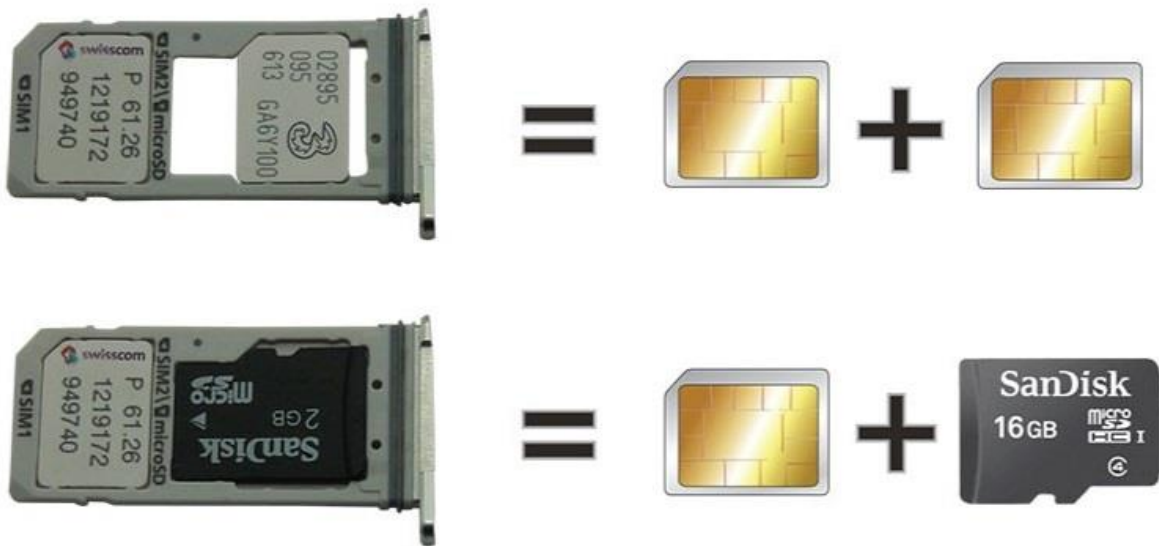


Figure 4: SIM Tray Layout

NOTE: SIM Tray shall not be inserted or removed while the gateway is powered on

2.4 Required Equipment for Installation

The following tools are required to install the Kona Enterprise Gateway module:

1. A 6 point metric socket set and torque wrench drive.
2. Anti-oxidant compound (NO-OX-ID, Penetrox, Noalox, Ox-Gard or equivalent).
3. A small wire brush.
4. A clean cloth.

5. Weatherproofing tape kit for the RF connector (Scotch Wireless Weatherproofing Kit, WK-101 recommended).
6. Supplied pole mounting accessories (shown in) for pole mounting or appropriate screws or bolts (four sized M6) with any required anchors according to the wall construction for wall mounting.

2.5 Kona Enterprise Gateway Mounting

Kona Enterprise Gateway PoE **must** be mounted to a vertical pole or wall using the supplied mounting hardware which attaches to the back of the module as illustrated in 5. The vertical orientation is required for the GPS to function properly.

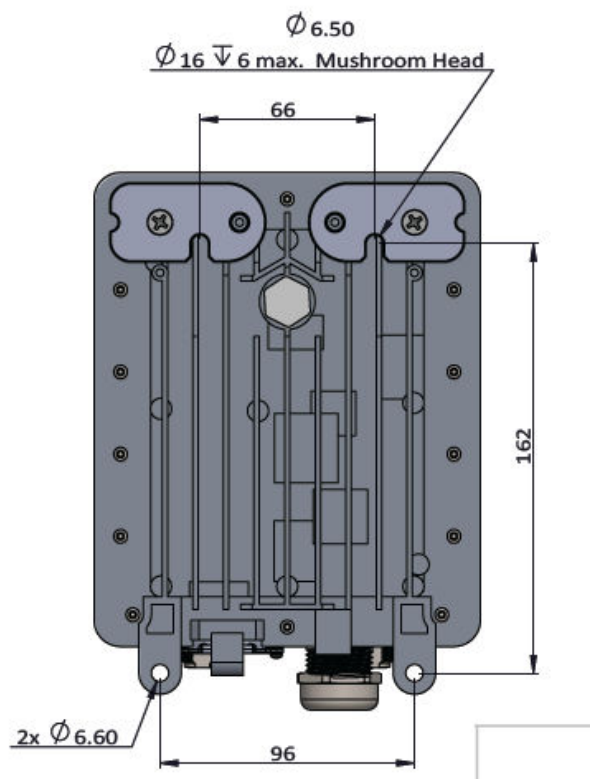


Figure 5: Kona Enterprise Gateway Wall Mounting Screw Locations

When mounted, the Gateway module must be oriented with the connector bulkhead pointed down towards earth as shown in Figure 6 and Figure 8.

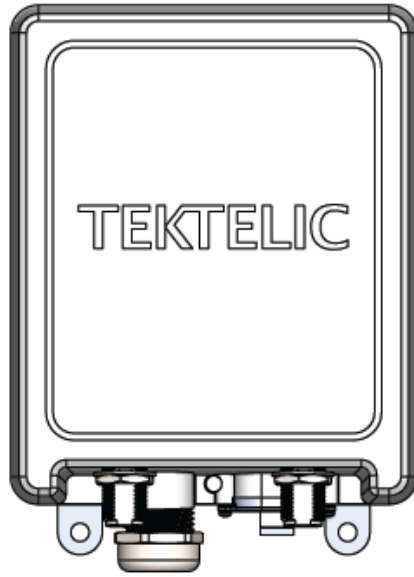


Figure 6: Kona Enterprise Gateway Module Wall Mounting Orientation



Figure 7: Kona Enterprise Gateway Module Pole Mounting Accessories

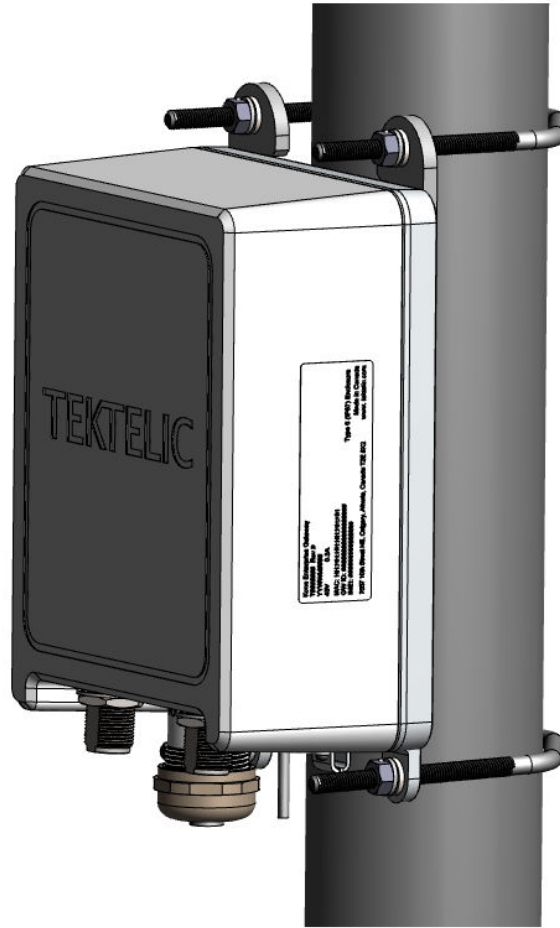


Figure 8: Kona Enterprise Gateway Module Pole Mounting Orientation

2.6 Ground Cable Installation

The Kona Enterprise Gateway is considered Permanently Connected Equipment and requires a permanently connected Protective Earth Ground (PEG) conductor. The Protective Earth Ground connection is made through a M4/#8 on center hole lug with 10mm maximum OD to the ground termination point illustrated in Figure 9. The recommended ground cable gauge is #10 AWG. The Kona Enterprise Gateway grounding system shall follow local and national electrical codes. The Protective Earth Ground conductor terminated at the hole lug point is mandatory and must be the first connection made to the Kona Enterprise Gateway during installation. Proper routing and termination of this cable is key to robust lightning withstand performance; in high susceptibility installations, every effort shall be made to minimize connection inductance and ground bed resistance. The ground cable installation steps are as follows:

1. Lightly abrade the surface of the casting ground area with a fine wire brush to remove the oxide layer.
2. Use a clean cloth to remove any debris from this surface.
3. Immediately coat the contact surface with a thin layer of anti-oxidant compound.
4. Install the ground cable through its single hole lug onto the chassis ground point using the supplied M4x0.7 – 12mm bolt with flat, lock, and star washers, torqued to 2.4Nm (22 in·lbs).

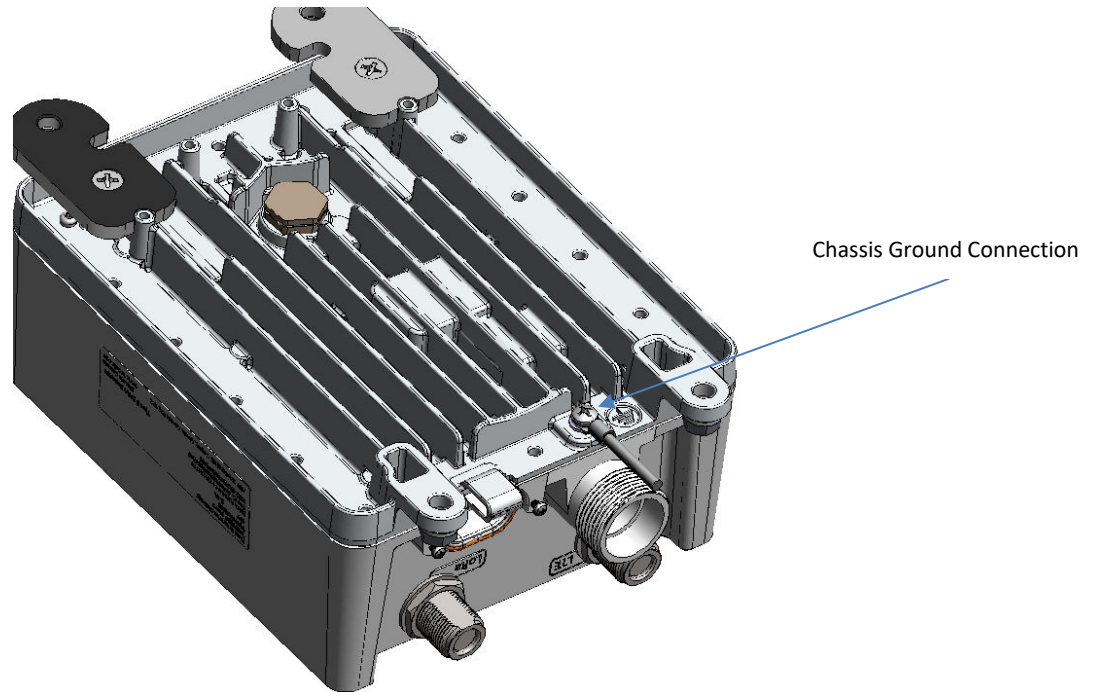


Figure 9: Kona Enterprise Gateway Module Ground Connection Point

2.7 RF Cable Installation

The Kona Enterprise Gateway installation allows connection to an external LoRa RF antenna and an external Cellular RF antenna. The RF cables attach to an N-Type connector located on the bulkhead of the Gateway. Torque the cable RF connector to 0.79 to 1.13 Nm (7 to 10 in·lbs). The N-Type connector interface to a cable is not water proof and must be taped. TEKTELIC recommends taping with Scotch Wireless Weatherproofing Kit, WK-101. Follow the taping procedures outlined by the supplier of this tape system.

Note that the Cellular antenna port is not surge protected internal to the Gateway, an external surge suppressor such as Polyphaser p/n TSX-NFM or equivalent is recommended any time an external cellular antenna is connected.

2.8 Copper Ethernet Cable Installation

The Kona Enterprise Gateway Ethernet port must be used to power the gateway and may further be used for backhaul or commissioning and maintenance. As shown in Figure 10, pass the Ethernet cable through the cable gland supplied with the module. Plug the cable into the modular jack on the module, then tighten the cable gland to the module with torque 6 Nm.

The cable gland grommet is designed to accept Ethernet cables with a jacket diameter in the range of 4 to 6 mm.

The Ethernet cable must have minimum 24 AWG conductors and shall be rated according to local and national electrical codes.



Figure 10: Kona Enterprise Gateway Module Cable Gland